

ICF-CD2000/CD2000S

SERVICE MANUAL

Ver 1.0 1999.10



Photo: ICF-CD2000 (US model)

US Model
Canadian Model
E Model
Tourist Model
ICF-CD2000
AEP Model
UK Model
ICF-CD2000S

Model Name Using Similar Mechanism	D-E551
Optical Device Name	CDM-2911EBA
Optical Pick-Up Name	DAX-11E

SPECIFICATIONS

CD player section

System: Compact disc digital audio system

Laser diode properties: Material: GaAlAs

Wavelength: 780 nm

Emission duration: Continuous

Laser output: Less than 44.6 μ W

(This output is the value measured at a distance of about 200 mm from the objective lens surface on the optical pick-up block with 7 mm aperture.)

Frequency response: 20-20,000 Hz ± 1 dB

Wow and flutter: Below measurable limit

Radio section

Frequency range

Model for North America

Band	ICF-CD2000	Channel step
FM	87.5-108 MHz	0.1 MHz
AM	530-1,710 kHz	10 kHz

Model for other countries

Band	ICF-CD2000	ICF-CD2000S	Channel step
FM	76-108 MHz	87.5-108 MHz	0.05 MHz
SW	—	5.8 - 15.6 MHz	5 kHz
AM(MW)	531-1,710 kHz	531-1,602 kHz	9 kHz

General

Time display: European model: 24-hour system

Other countries model: 12-hour system

Speaker: Full range: 4 cm ($1\frac{5}{8}$ inches), 8 ohms (2)

Output: ϕ (headphones) jack (stereo minijack, 3.5 mm dia.)

Power output: 200 mW + 200 mW (at 10% harmonic distortion)

Power requirements:

Main unit:

- 6V DC, four LR6 (size AA) alkaline batteries

- DC IN 6V jack accepts supplied AC power adaptor for use with 120 V AC, 60 Hz (model for North America) or 220-230 V AC, 50 Hz (model for continental Europe).

Backup for Clock: 3V DC, one CR 2025 lithium battery

External power source: DC IN 6V

Dimensions: Approx. 166.5 x 34 x 173 mm (w/h/d)
(Approx. $6\frac{5}{8}$ x $1\frac{3}{8}$ x $6\frac{7}{8}$ inches) incl. projecting parts and controls

Mass: Approx. 660 g (1 lb 7 oz) incl. batteries

Supplied Accessories

Sony CR 2025 lithium battery (1), AC power adaptor (1) (continental European and Canadian models only), Stereo headphones (1)

Design and specifications are subject to change without notice.



ICF-CD2000
FM/AM CD CLOCK RADIO
ICF-CD2000S
FM/SW/MW CD CLOCK RADIO
SONY[®]

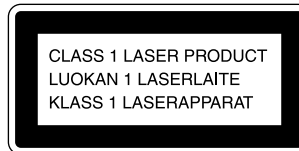
TABLE OF CONTENTS

1. SERVICING NOTES	3
2. GENERAL	5
3. DISASSEMBLY	8
4. SERVICE MODE	11
5. TEST MODE	12
6. ELECTRICAL ADJUSTMENTS	15
7. DIAGRAMS	
7-1. IC Pin Function Description	21
7-2. Block Diagram – CD Section –	23
7-3. Block Diagram – Main Section –	27
7-4. Printed Wiring Boards – MAIN/JACK Boards –	31
7-5. Schematic Diagram – MAIN/JACK Boards –	35
7-6. Printed Wiring Boards – LCD/KEY Boards –	40
7-7. Schematic Diagram – LCD/KEY Boards –	45
8. EXPLODED VIEWS	53
9. ELECTRICAL PARTS LIST	57

CAUTION

Use of controls or adjustments or performance of procedures other than those specified herein may result in hazardous radiation exposure.

This appliance is classified as a CLASS 1 LASER product. The CLASS 1 LASER PRODUCT MARKING is located on the rear exterior.



Laser component in this product is capable of emitting radiation exceeding the limit for Class 1.

Flexible Circuit Board Repairing

- Keep the temperature of the soldering iron around 270 °C during repairing.
- Do not touch the soldering iron on the same conductor of the circuit board (within 3 times).
- Be careful not to apply force on the conductor when soldering or unsoldering.

Notes on chip component replacement

- Never reuse a disconnected chip component.
- Notice that the minus side of a tantalum capacitor may be damaged by heat.

HOW TO CHANGED THE CERAMIC FILTERS

This model is used two ceramic filters of CF1 and CF3. You must use same type of color marked ceramic filters in order to meet same specifications.

Therefore, the ceramic filter must be changed two pieces together since it's supply two pieces in one package as a spare parts.

SAFETY-RELATED COMPONENT WARNING!!

COMPONENTS IDENTIFIED BY MARK \triangle OR DOTTED LINE WITH MARK \triangle ON THE SCHEMATIC DIAGRAMS AND IN THE PARTS LIST ARE CRITICAL TO SAFE OPERATION. REPLACE THESE COMPONENTS WITH SONY PARTS WHOSE PART NUMBERS APPEAR AS SHOWN IN THIS MANUAL OR IN SUPPLEMENTS PUBLISHED BY SONY.

ATTENTION AU COMPOSANT AYANT RAPPORT À LA SÉCURITÉ!

LES COMPOSANTS IDENTIFIÉS PAR UNE MARQUE \triangle SUR LES DIAGRAMMES SCHÉMATIQUES ET LA LISTE DES PIÈCES SONT CRITIQUES POUR LA SÉCURITÉ DE FONCTIONNEMENT. NE REMPLACER CES COMPOSANTS QUE PAR DES PIÈCES SONY DONT LES NUMÉROS SONT DONNÉS DANS CE MANUEL OU DANS LES SUPPLÉMENTS PUBLIÉS PAR SONY.

SECTION 1

SERVICING NOTES

NOTES ON HANDLING THE OPTICAL PICK-UP BLOCK OR BASE UNIT

The laser diode in the optical pick-up block may suffer electrostatic breakdown because of the potential difference generated by the charged electrostatic load, etc. on clothing and the human body. During repair, pay attention to electrostatic breakdown and also use the procedure in the printed matter which is included in the repair parts.

The flexible board is easily damaged and should be handled with care.

Before Replacing the Optical Pick-Up Block

Please be sure to check thoroughly the parameters as per the "Optical Pick-Up Block Checking Procedures" (Part No.: 9-960-027-11) issued separately before replacing the optical pick-up block. Note and specifications required to check are given below.

- FOK output: IC501 ⑤ pin
- S curve P-to-P value: 1.2 Vp-p IC501 ⑫ pin
When checking S curve P-to-P value, remove the lead wire to disc motor.
- RF signal P-to-P value: 0.8 to 1.3 Vp-p
- Traverse signal P-to-P value: 0.7 to 1.8 Vp-p
- The repairing grating holder is impossible.

Precautions for Checking Emission of Laser Diode

Laser light of the equipment is focused by the object lens in the optical pick-up so that the light focuses on the reflection surface of the disc. Therefore, be sure to keep your eyes more than 30 cm apart from the object lens when you check the emission of laser diode.

Laser Diode Checking Methods

During normal operation of the equipment, emission of the laser diode is prohibited unless the upper panel is closed while turning ON the S423. (push switch type)

However, in the service mode, the laser diode always emits light even if S423 is not turned on.

The following two checking methods for the laser diode are operable.

• Method-1 (In the service mode or normal operation): Emission of the laser diode is visually checked.

1. Open the upper lid.
2. Push the S423 as shown in Fig. 1.
(Unnecessary in the service mode)
3. Press the **CD▶II** key.
4. Check the object lens for confirming normal emission of the laser diode. If not emitting, there is a trouble in the automatic power control circuit or the optical pick-up.
During normal operation, the laser diode is turned ON about 2.5 seconds for focus searching.

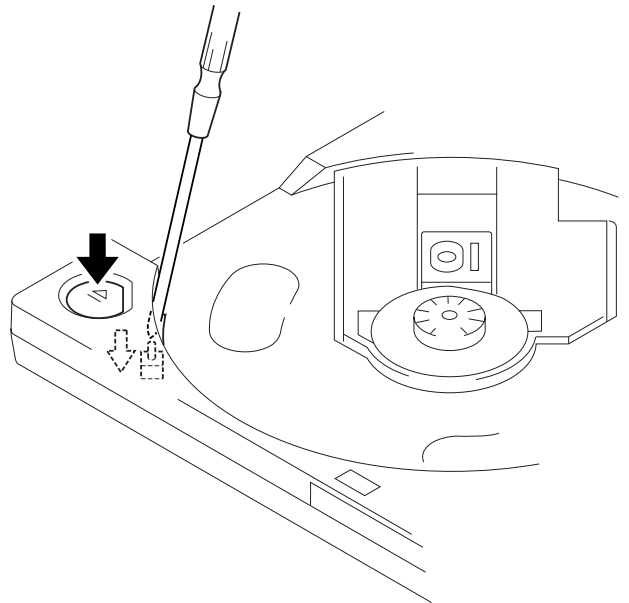


Fig. 1 Method to push the S423

• **Method-2 (In the service mode or normal operation):**
Check the value of current flowing in the laser diode.

1. Remove the upper panel.
2. Connect a digital voltmeter as show in Fig. 2.
3. Press the [CD▶▶] key.
4. Calculate current value by the reading of the digital voltmeter.
 Reading of the digital voltmeter (V) ÷ 2.2 (Ω) = current value (A)
 (Example) Reading of the digital voltmeter of 0.082 V:
 $0.082\text{ V} \div 2.2\ \Omega = 0.037\text{ (A)} = 37\text{ mA}$
 Current value of the specified: 16 to 18 mA
5. Check that the current value is within the following range.
 - Current value of the specified $\pm 1\text{ mA (25 }^\circ\text{C)}$
 Variation by temperature: $0.4\text{ mA}/^\circ\text{C}$
 Current increases with temperature increased.
 Current decreases with temperature decreased.

If the current is more than the range above, there is a trouble in the automatic power control circuit or the laser diode is in deterioration.

If less than the range, a trouble exists in the automatic power control circuit or the optical pick-up.

– MAIN Board (Conductor Side) –

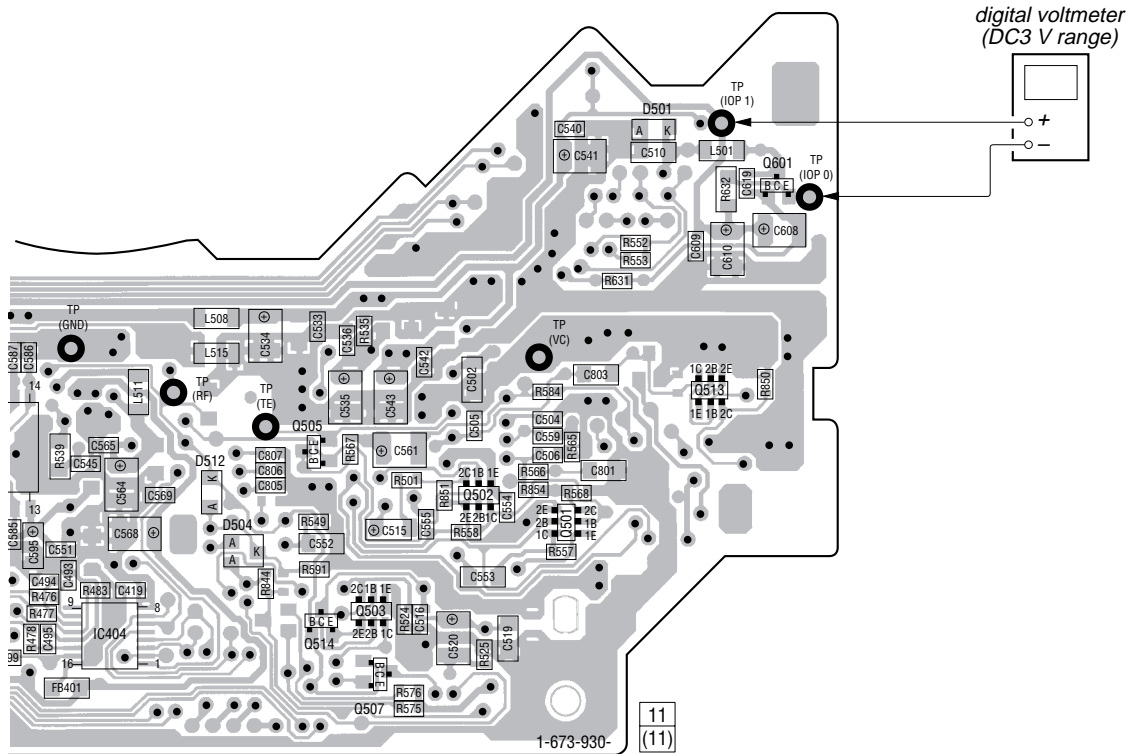
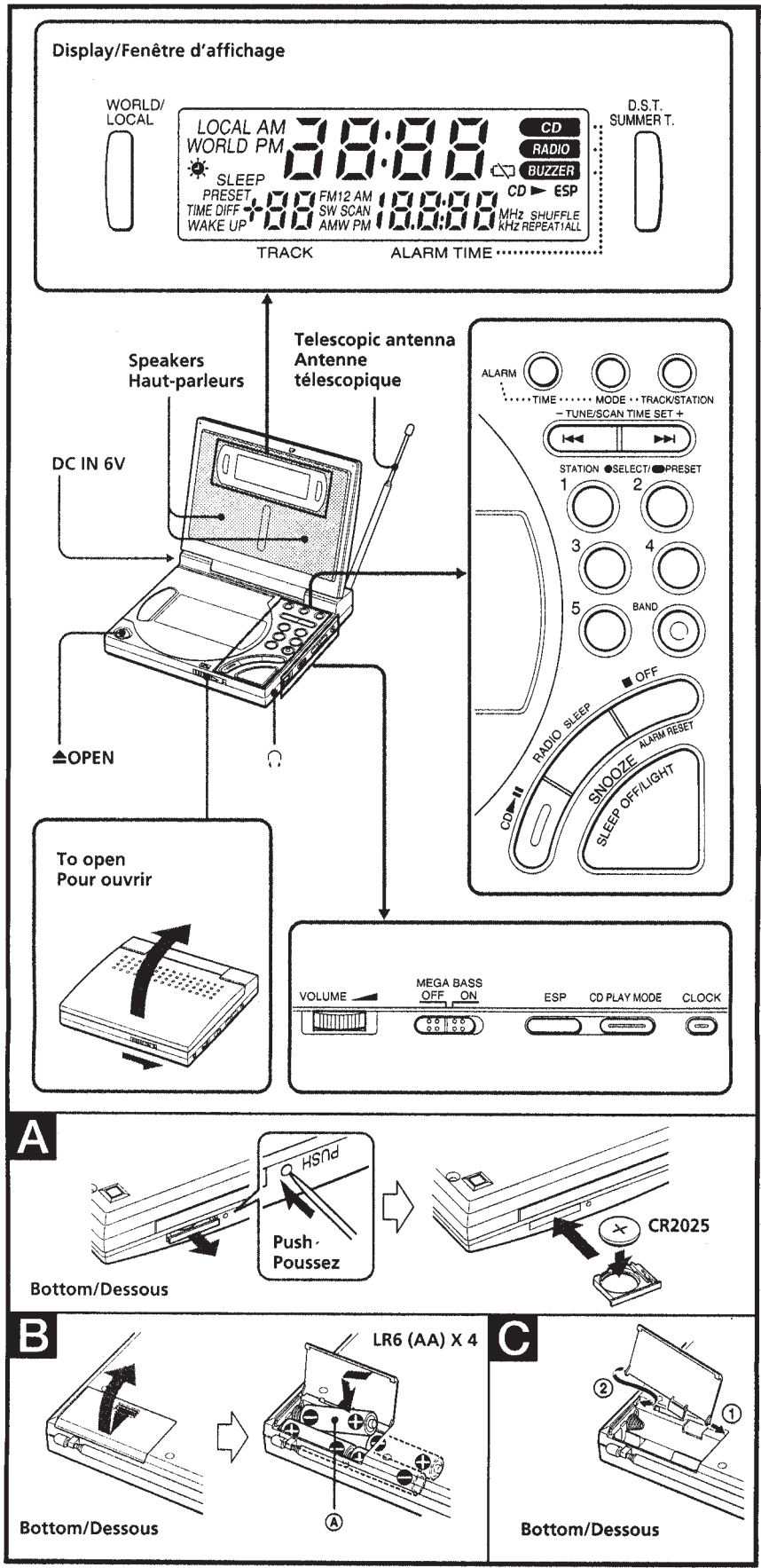


Fig. 2 Digital voltmeter connecting location

SECTION 2 GENERAL

This section is extracted from instruction manual.



Features

- PLL (Phase Locked Loop) synthesized travel clock radio with CD player.
- Wake up to your choice of alarm sound source — CD (with selectable Wake-up track), radio (with selectable Wake-up station), or buzzer.
- Clock function for the traveller — display the time in your destination with the WORLD time function. — display both the current time and the alarm time with the dual display.
- Simple radio operation with the Auto Station Scan tuning and preset tuning. Preset tuning stores up to 10 FM, 5 SW and 5 AM stations.
- Multi-functioned CD player — variety of playback modes (repeat, shuffle, etc.) plus a 10-second Electronic Shock Protection function to prevent skipping of sound.
- Stereo output from both the speakers and the headphones.

Note on AM channel step

The AM channel step differs depending on areas. The channel step of this unit is factory-set to 9 kHz or 10 kHz. Switch the channel step when needed (see "Changing AM(MW) Channel Step").

Area	Channel step
North and South American countries	10 kHz
Other countries	9 kHz

Power Sources

The unit cannot be played on manganese batteries. Use only alkaline batteries.

Installing the Lithium Battery for Clock Backup (see Fig. A)

- 1 Insert a pointed object into the hole beside the lithium battery compartment to eject the tray.
- 2 Place the lithium battery CR 2025 on the tray with the (+) side facing up, and slide the tray into the compartment until you hear a click.

Note

The lithium battery is only for clock backup. The unit cannot play a CD or the radio unless it is powered by alkaline batteries or the AC power adaptor.

Replacing the lithium battery

The battery life of the backup lithium battery is 3 months when both the alkaline batteries or house current are not connected. The lithium battery will last longer with these power sources, since either source will supply power for clock backup as well. If the clock flashes "AM 12:00" or "0:00" when you replace the alkaline batteries, the lithium battery is exhausted. Replace the lithium battery. Reset the clock and the station presets if needed.

Notes on batteries

- Keep the lithium battery out of reach of children. Should the battery be swallowed, consult a doctor immediately.
- Wipe the batteries with a dry cloth to assure good contact.
- Be sure to install the batteries in the correct polarity position.
- Do not hold the batteries with metallic tweezers, as doing so may cause a short-circuit.
- Do not break up the batteries or throw them into a fire, which might cause them to explode. Carefully dispose of used batteries.

CAUTION

Danger of explosion if battery is replaced incorrectly. Replace only with the same or equivalent type recommended by the equipment manufacturer. Discard used batteries according to manufacturer's instructions.

Installing Alkaline Batteries (see Fig. B)

- 1 Slide the battery compartment lid in the direction of the arrow and lift it up.
- 2 Install four LR6 (size AA) alkaline batteries with correct polarity. Insert the batteries with the polarity as shown in the diagram at the bottom of the unit. Be sure to insert the batteries from the (+) terminal (see Fig. B-2).

Battery life

Using Sony alkaline LR6 (size AA)

CD (ESP on)	Approx. 7 hours
Radio	Approx. 17 hours

Replacing batteries

- When the batteries become weak, "CS" flashes in the display. When the batteries are exhausted, "CS" stops flashing and remains in the display. Replace all the four batteries with new alkaline batteries of the same kind.
- When "CS" is lit in the display, the unit stops all operation. Only the clock display will appear in the display. After replacing the batteries, press **CD ▶▶** or **RADIO•SLEEP** so that "CS" disappears in the display.

When the battery compartment lid becomes detached (see Fig. C)

The battery compartment lid is designed to become detached if opened with excessive force. In such a case, reattach it as shown in the illustration.

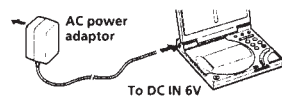
Note

When the unit is not being used for a long period of time, remove the batteries to avoid damage from battery leakage and corrosion.

Using House Current

Connect the AC power adaptor to the DC IN 6V jack, and plug it into a wall outlet. Be sure to plug in the adaptor securely to both the DC IN 6V jack and to the wall outlet. The unit automatically switches to external power even with the batteries inserted.

To wall outlet



Notes

- When using the unit on AC power, we recommend that you remove the dry batteries to avoid possible battery leakage.
- When the AC power adaptor is not to be used for a long period of time, be sure to unplug it both from the DC IN 6V jack and from the wall outlet.
- Do not remove the lithium battery even when operating the unit on house current, as it serves as backup power for the memory.
- If power from the AC power adaptor is disrupted due to power interruption, etc., the unit switches to battery power when available.
- Use only the supplied Sony AC power adaptor. Using any other adaptor may cause damage to the unit.

Setting the Clock

When the batteries are first installed, "AM 12:00" or "0:00" flashes and "LOCAL" appears in the display. The clock system varies depending on the model you own.

12-hour system: "AM 12:00" = midnight
24-hour system: "0:00" = midnight

Setting the LOCAL Time

- 1 Press **WORLD/LOCAL** to display "LOCAL".
- 2 Hold down **CLOCK** until you hear a beep. "LOCAL" and the hour flashes.
- 3 Press **TUNE/SCAN TIME SET +** or **-** to set the hour. Press **+** to advance and **-** to go back. Hold down the button to change the time continuously.
- 4 Press **CLOCK** to enter the hour. A beep sounds and the minute flashes.
- 5 Press **TUNE/SCAN TIME SET +** or **-** to set the minute, and then press **CLOCK**. Two beeps sound to confirm the setting. The clock starts to operate and "CS" flashes.

Setting the WORLD Time

The WORLD time displays the time for a selected time area in the world.

- 1 Press **WORLD/LOCAL** to display "WORLD". "TIME DIFF" and the time difference to your local time appears.
- 2 Hold down **CLOCK** until you hear a beep. "WORLD" and the hour flashes.
- 3 Press **TUNE/SCAN TIME SET +** or **-** to set the desired hour and press **CLOCK**. Press **+** to advance and **-** to go back. The time difference indication changes accordingly. Two beeps sound to confirm the setting. The clock starts to operate and "CS" flashes.

Notes

- For WORLD time, only the hour can be set.
- When you change the LOCAL time, the WORLD time will be adjusted accordingly based on the time difference setting.

Adjusting the current time display to daylight saving time (summer time)

Press **D.S.T. SUMMER T.**
"S" appears in the display and the current time is adjusted to the daylight saving time.

To cancel daylight saving time adjustment

Press **D.S.T. SUMMER T.** again.

Note

The daylight saving time setting is done separately for the LOCAL time and WORLD time.

Changing AM(MW) Channel Step

The channel step of this unit is factory-set to 9 kHz or 10 kHz. Switch the channel step when needed.

Area	Channel step
North and South American countries	10 kHz
Other countries	9 kHz

Hold down **OFF•ALARM RESET** and **BAND** for about 5 seconds until you hear two beeps.

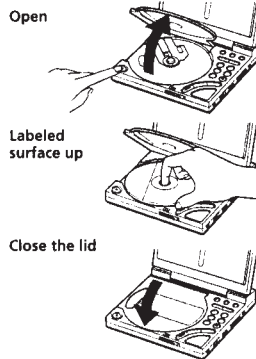
Note

The station presets are erased when the AM(MW) channel step is changed.

Playing a CD

An 8 cm (3-inch) CD can be played without an adaptor.

- 1 Press **OPEN** to open the CD compartment lid and place a disc.



- 2 Press **CD ▶▶**. When the button is pressed, the display shows the total number of tracks and the running time of the CD. When a track is playing, the display shows the track number and the elapsed time of the track.
- 3 Adjust the volume using **VOLUME**.

Note

When you press **CD ▶▶**, it normally takes about 12 seconds before the CD starts playing. It may also take a few seconds after pressing **CD ▶▶** before the CD starts spinning, but this is not a malfunction.

Listening through the built-in speakers

The built-in speakers are located in the inner side of the main cover. Open the main cover when listening through the speakers.

To	Press
Pause	CD ▶▶
Resume play after pause	CD ▶▶
Locate the beginning of the current track (AMS)*	◀◀ once**
Locate a previous track (AMS)	◀◀ repeatedly for the number of tracks to be skipped**
Locate the next track (AMS)	▶▶ once**
Locate a succeeding track (AMS)	▶▶ repeatedly for the number of tracks to be skipped**
Review	Hold down ◀◀ **
Cue	Hold down ▶▶ **
Stop play	OFF•ALARM RESET

* AMS = Automatic Music Search

** Possible during both playback and pause.

Handle compact discs...

- ...this way. Handle the disc by its edge.
- Not this way. Do not touch the surface.
- Do not stick paper or tape nor write anything on the surface.

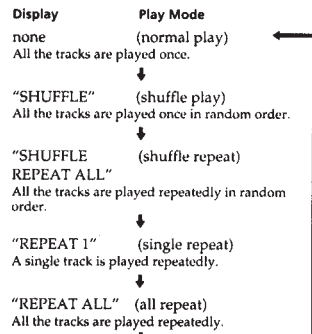
Notes

- Do not open the CD compartment lid during playback, as doing so may damage the disc.
- If you press **CD ▶▶** with no disc in the CD compartment, "00" will flash for a few seconds.

Various Modes of CD Playback

You can play tracks repeatedly or in random order.

Press **CD PLAY MODE** repeatedly to select a playback mode. Each press changes the playback mode as follows:



Notes

- When playing a CD in the Shuffle mode, pressing **◀◀** will not shift playback to the preceding track.
- The **CD PLAY MODE** button does not function when the main cover is closed.

Preventing sound from skipping (ESP)

The ESP (Electronic Shock Protection) function prevents the sound from skipping by using a buffer memory that stores music data for about 10 seconds. Use this function when playing a CD in a car or during a walk.

Press ESP.

The "ESP" indication appears in the display. The ESP function is activated by factory preset. To deactivate the function, hold down **ESP** for two seconds until the "ESP" indication disappears in the display.

Notes

- A strong shock may cause playback to stop even with the ESP function on.
- The sound may skip or become noisy when: — listening to a dirty or scratched CD, — listening to an audio test CD or, — the player receives continuous shock.
- The sound will drop for a while when ESP is switched on or off during play.
- ESP cannot be switched on or off when the main cover is closed.

Operating the Radio Manual Tuning

- 1 Press **RADIO•SLEEP** to turn on the radio.
- 2 Press **BAND** repeatedly to select the desired band. FM1 and FM2 are differentiated only for Preset tuning. For Manual or Auto Station Scan tuning of FM stations, select either band.
- 3 Tune in to a station by pressing **TUNE/SCAN TIME SET +** or **-**. Press **+** for a higher frequency and **-** for a lower frequency. To change the frequency rapidly, hold down the button for more than 2 seconds. Be sure "SCAN" does not appear in the display. The frequency indication will stop when you release the button.
- 4 Adjust the volume using **VOLUME**.

Listening through the built-in speakers

The built-in speakers are located in the inner side of the main cover. Open the main cover to listen through the speakers.

Note

When a headphone set is connected to the (⊖) (headphones) jack, there will be no sound from the speakers.

To turn off the radio

Press **OFF•ALARM RESET**.

To improve radio reception

FM: Extend and adjust the angle of the telescopic antenna.
SW: Extend the telescopic antenna vertically.
AM(MW): Rotate the unit horizontally for optimum reception. A ferrite bar is built in to the unit. Avoid operating the unit on a steel desk or metal surface.

Auto Station Scan Tuning

The unit automatically scans the selected waveband and stops at reception.

- 1 Press **RADIO•SLEEP** to turn on the radio.
- 2 Press **BAND** repeatedly to select the desired band.
- 3 Hold down **TUNE/SCAN TIME SET +** or **-** until "SCAN" flashes in the display, then release the button. Scanning starts. Scanning is paused when a station is received. The station is tuned in for a few seconds, then the unit resumes scanning.
- 4 Press **TUNE/SCAN TIME SET +** or **-** while your desired station is tuned in. "SCAN" disappears in the display and scanning stops to receive your desired station continuously.
- 5 Adjust the volume using **VOLUME**.

Preset Tuning

You can preset up to 5 stations each for FM1, FM2, SW and AM(MW). Once a station is preset, it can be recalled with just a press of the respective preset button.

Presetting the Station

Example: To preset 87.50 MHz on FM2 onto preset button 2.

- 1 Tune in to the desired station (87.50 MHz on FM2, in this case) by Manual tuning or Auto Station Scan tuning.
- 2 Hold down the desired preset button (2, in this case) until you hear two short beeps.



"PRESET" flashes while the station is being stored, and the preset number is displayed.

To change the preset station

Tune in to the station to be preset and hold down the desired preset button until you hear two short beeps. The station previously assigned to the button will be erased.

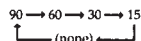
Tuning in to a preset station

- 1 Press **RADIO•SLEEP** to turn on the radio.
- 2 Press **BAND** to choose a band.
- 3 Press the preset button where the desired station is stored.
- 4 Adjust the volume using **VOLUME**.

Sleep Timer

Enjoy falling asleep to the radio with the sleep timer. The radio turns off automatically after the selected duration.

- 1 Press **RADIO•SLEEP** to turn on the radio.
- 2 Press **RADIO•SLEEP** again. "SLEEP" and the sleep countdown duration appear in the display.
- 3 Press **RADIO•SLEEP** repeatedly until the desired duration appears in the display. Each press changes the sleep countdown duration in the following order:



The sleep timer starts counting down the remaining number of minutes until the radio turns off.

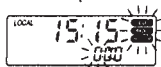
- To change the timer duration after the timer function is activated, press **RADIO•SLEEP** repeatedly until the desired duration appears.
- To switch off the power during countdown, press **SNOOZE•SLEEP OFF/LIGHT**.

Setting the Alarm

The unit comes with 3 alarm modes — CD, radio and buzzer. Before setting the alarm, make sure to set the clock (see "Setting the Clock").

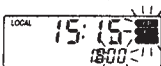
Setting the Alarm Time

- 1 Hold down **ALARM TIME** until you hear a short beep.



The alarm mode indications and the hour of the alarm time flashes.

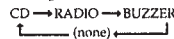
- 2 Press **TUNE/SCAN TIME SET +** or **-** to select the desired hour, then press **ALARM TIME**.



A beep sounds and the minute flashes.

- 3 Press **TUNE/SCAN TIME SET +** or **-** to select the desired minute, then press **ALARM TIME**. Two short beeps sound to confirm the setting.

- 4 Press **ALARM MODE** repeatedly to display the indication for the desired alarm mode. Each press of **ALARM MODE** changes the mode in the following order:



The alarm you chose will sound at the alarm time.

To check the alarm time

Press **ALARM TIME**.

Notes

- The radio or the buzzer alarm will sound for about 60 minutes before stopping automatically.
- The loudness of the buzzer is fixed and cannot be adjusted with **VOLUME**.
- The CD alarm will last for about 60 minutes under the SHUFFLE REPEAT ALL, REPEAT 1 or the REPEAT ALL modes, and until all the tracks in the CD are played for the other playback modes.

To Stop the Alarm

Press **OFF•ALARM RESET**.

The alarm will come on at the same time the next day.

To Cancel the Alarm

Press **ALARM MODE** repeatedly until there is no alarm mode indication in the display.

To Doze for a Few More Minutes (Snooze)

Press **SNOOZE•SLEEP OFF/LIGHT**.

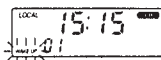
The alarm turns off, but will be activated automatically after about 8 minutes.

- The alarm mode indication flashes in the display while the Snooze function is in effect.

To Set the Wake-up Track for CD Alarm

For the CD alarm, you can choose a track on the CD to wake up to (the Wake-up track).

- 1 Select the CD alarm mode (see "Selecting the Alarm Mode").
- 2 Press **ALARM TRACK/STATION** until you hear a beep.



"WAKE UP" flashes in the display.

- 3 Press **TUNE/SCAN TIME SET +** or **-** to select the desired track number.

- 4 Press **ALARM TRACK/STATION** again. Two short beeps sound to confirm the setting. The track you chose will sound at the time set.

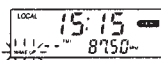
Notes

- If the playback mode is set to SHUFFLE or SHUFFLE REPEAT, the CD alarm will disregard the Wake-up track designation.
- The selected Wake-up track number remains even when the CD is changed.
- If the alarm mode is set to the CD alarm but there is no CD in the player, the buzzer alarm will sound in its place at the time set.

To Set the Wake-up Station for Radio Alarm

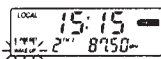
For the radio alarm, you can choose a station from the preset memory to wake up to (the Wake-up station).

- 1 Select the radio alarm mode (see "Selecting the Alarm Mode").
- 2 Press **ALARM TRACK/STATION** until you hear a beep.



"WAKE UP" flashes in the display.

- 3 Press **TUNE/SCAN TIME SET +** or **-** repeatedly to select a preset station.



- 4 Press **ALARM TRACK/STATION** again. Two short beeps sound to confirm the setting. The preset station you chose will sound at the time set.

Note

If you did not choose a Wake-up station (i.e., the WAKE UP preset indication is "-"), the station last received will be played.

Other Useful Functions

Emphasizing Bass

Set **MEGA BASS** to **ON**. Switch it off if the sound becomes distorted.

Lighting the Display

Press **SNOOZE•SLEEP OFF/LIGHT**.

The light comes on for about 10 seconds. When the unit is operating on house current, the display is lit at all times.

Precautions

- Operate the unit on the power sources specified in "Specifications".
- The nameplate indicating voltage, etc. is located at the bottom.
- Disconnect the AC power adaptor cord by grasping the plug. Never pull it by the cord.
- Do not leave the unit in a location near a heat source such as a radiator or air duct, or in a place subject to direct sunlight, excessive dust, mechanical vibration, or shock.
- Allow adequate air circulation to prevent internal heat build-up. Do not place the unit on a surface (a rug, a blanket, etc.) or near materials (a curtain) which might block the ventilation holes.
- Should any liquid or solid object fall into the unit, unplug (or remove batteries from) the unit and have it checked by a qualified personnel before operating it further.
- When the casing becomes soiled, clean it with a soft cloth dampened with a mild detergent solution. Never use abrasive cleansers or chemical solvents, as they may mar the casing.
- The unit is not disconnected from the AC power source (mains) as long as it is connected to the wall outlet, even if the unit itself has been turned off.

If you have any question, please consult your nearest Sony dealer.

Notes on Headphones

Road safety

Do not use headphones while driving, cycling, or operating any motorized vehicle. It may create a traffic hazard and is illegal in many areas. It can also be potentially dangerous to play your headphones at high volume while walking, especially at pedestrian crossings. You should exercise extreme caution or discontinue use in potentially hazardous situations.

Preventing hearing damage

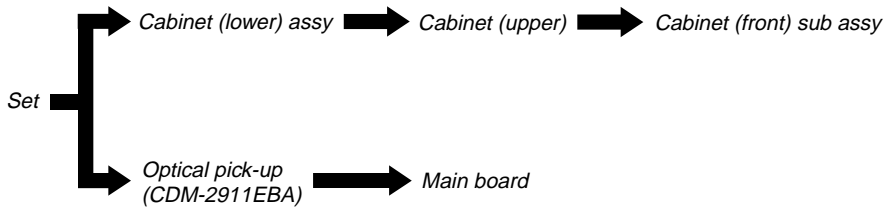
Avoid using headphones at high volume. Hearing experts advise against continuous, loud and extended play. If you experience a ringing in your ears, reduce volume or discontinue use.

Caring for others

Keep the volume at a moderate level. This will allow you to hear outside sounds and to be considerate to people around you.

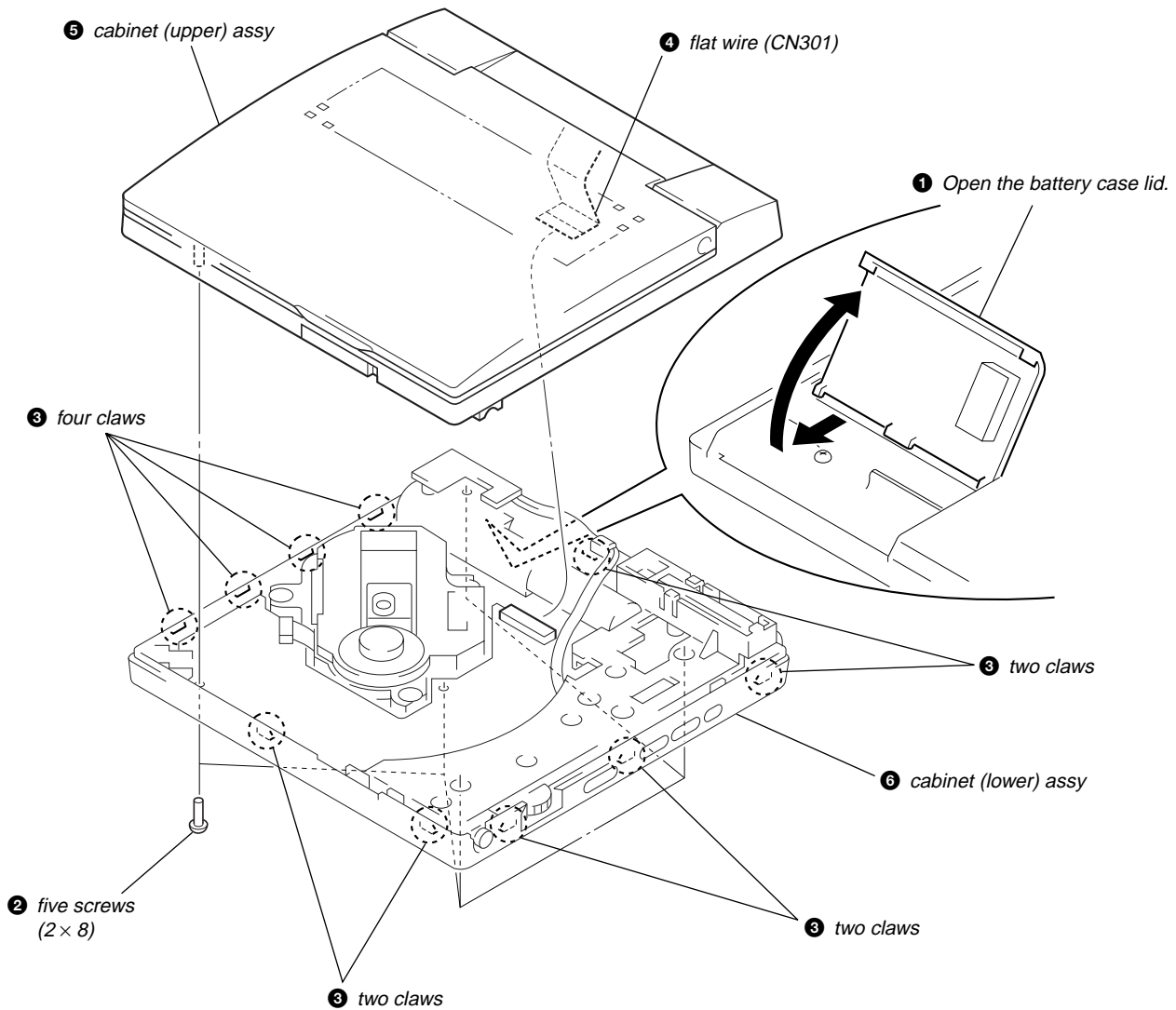
SECTION 3 DISASSEMBLY

- This set can be disassembled in the order shown below.

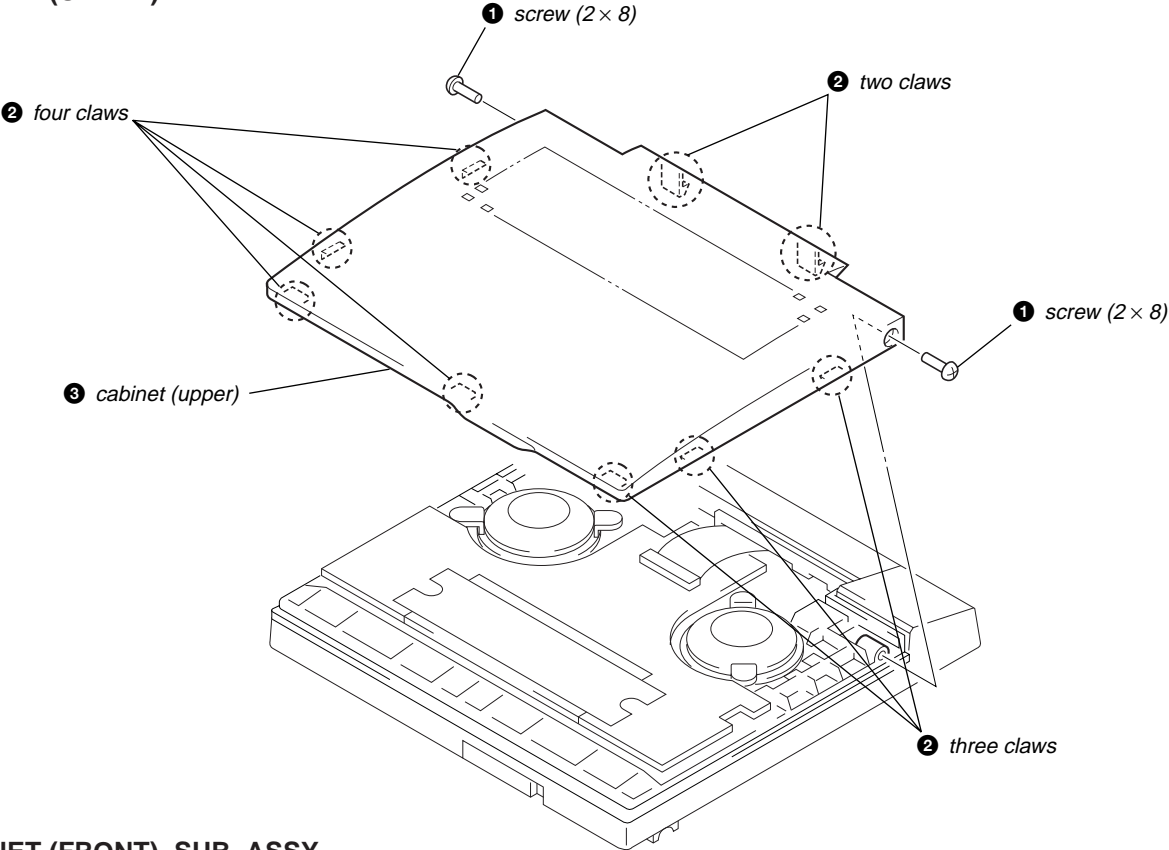


Note: Follow the disassembly procedure in the numerical order given.

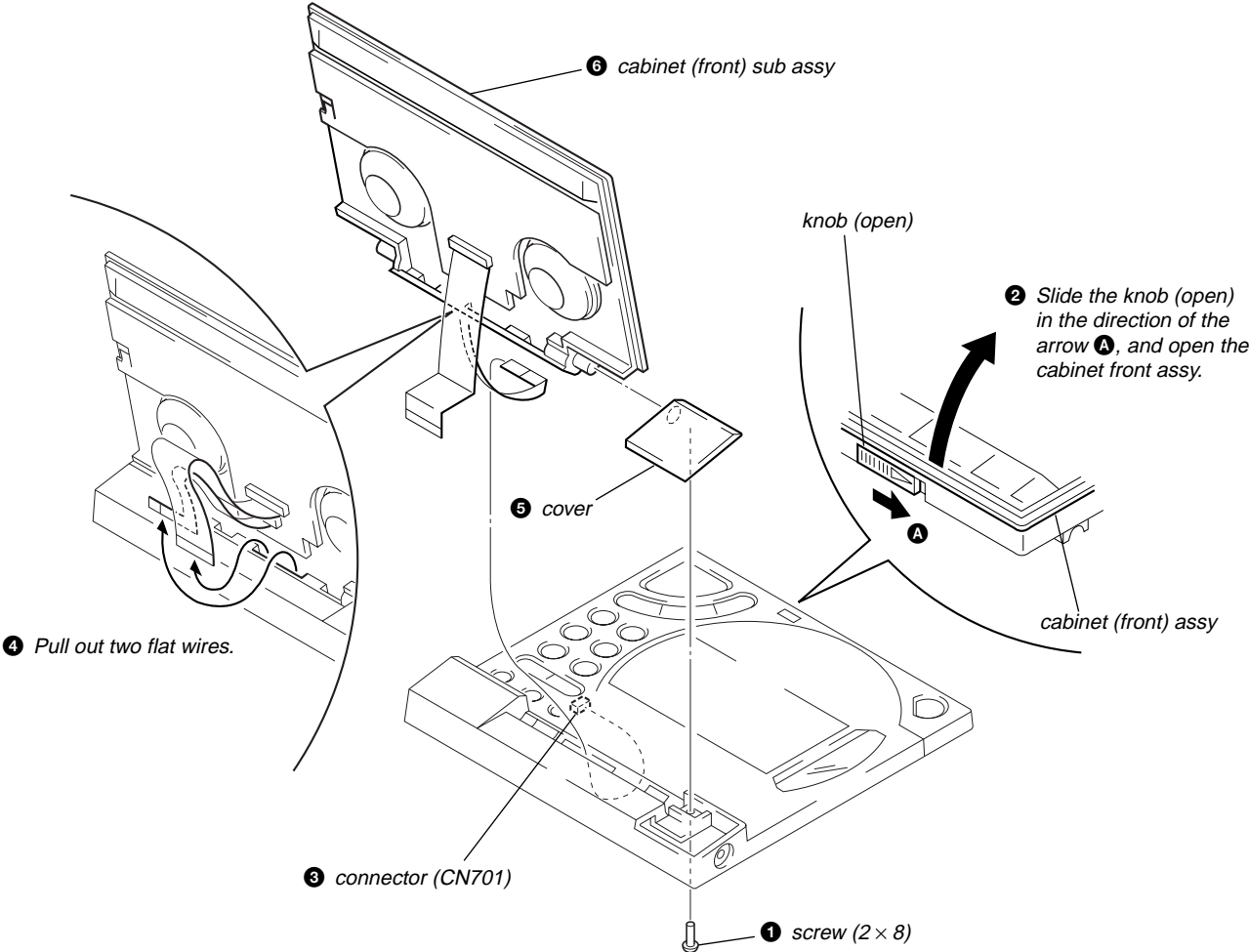
CABINET (LOWER) ASSY



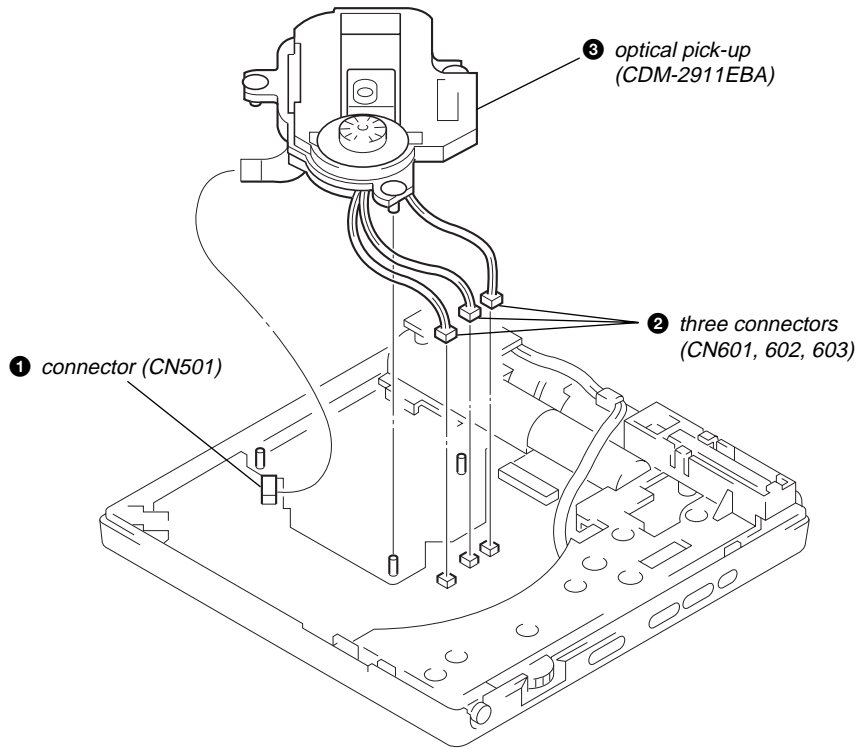
CABINET (UPPER)



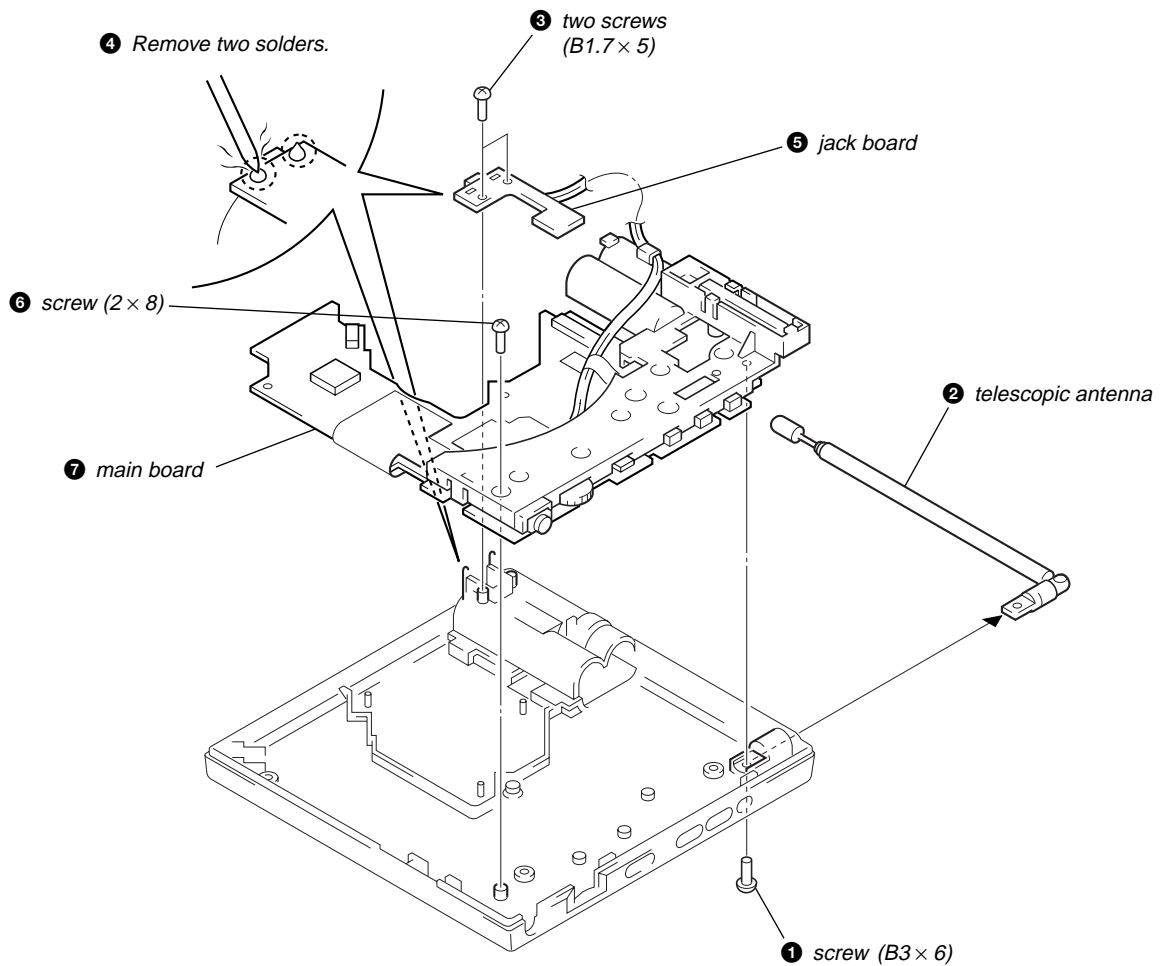
CABINET (FRONT) SUB ASSY



OPTICAL PICK-UP (CDM-2911EBA)



MAIN BOARD



SECTION 4 SERVICE MODE

Service Mode (Service program)

The equipment is provided with a service program built in the microcomputer, like conventional models.

Service program operation methods are described in the following.

• Step 1 (Service mode setting methods)

1. Connect TP447 (CD TEST 2) to the TP444 (GND).
2. Turn ON the S423 (CD OPEN switch).
3. Insert external power supply.
4. Connect TP453 (RESET) to the TP444 (GND) to make open. (Reset)

• Step 2 (Operation in the service mode)

1. Once the service mode is effected, the LCD displays 18 indications each of which is repeatedly displayed.
2. By pressing the **▶▶** or **◀◀** key, the optical pick-up is movable inwardly or outwardly. However, if this is activated, tracking servo and sled servo are turned OFF, so it can be turned ON by pressing the **BAND** key if required.
3. Without disk, focus searching is repeated continuously.
4. By pressing the **BAND** key, tracking servo, sled servo and CLV-A (servo in PLAY) are turned ON. Then playing begins. No muting is ON in the service mode.

• Step 3 (Resetting of service mode)

1. Remove external power supply.
2. Disconnect TP447 (CD TEST 2) and TP444 (GND), and also TP453 (RESET) and TP444 (GND).

– LCD Board (Component Side) –

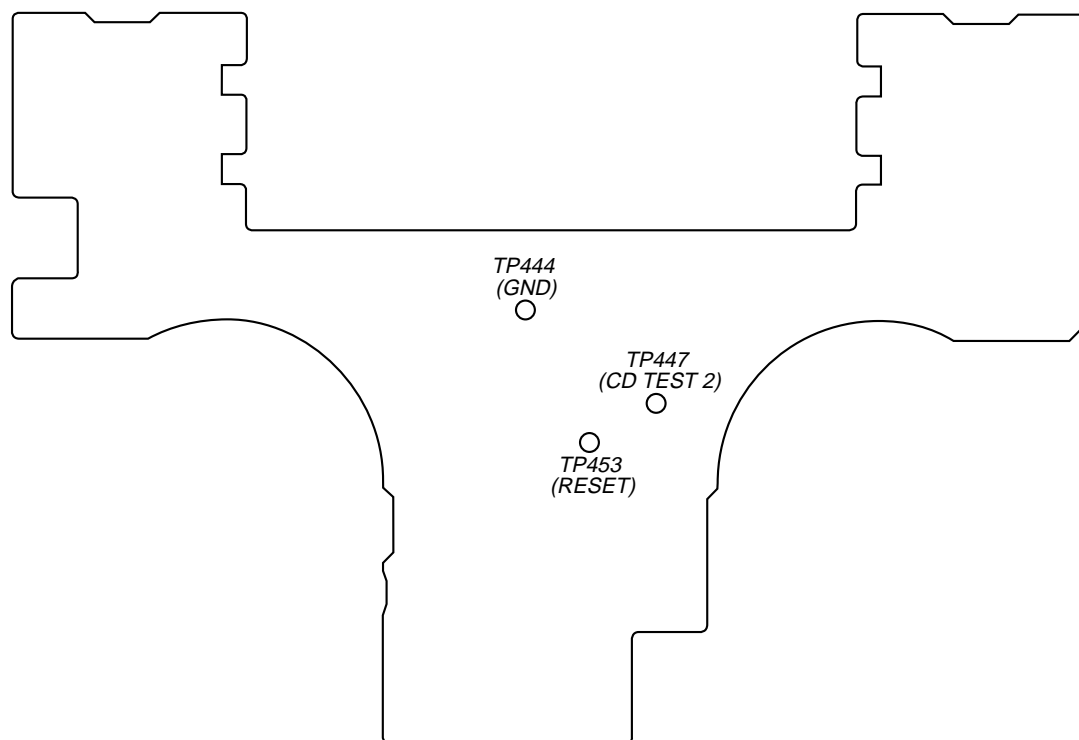


Fig. 3 Location of CD TEST terminal





SECTION 5 TEST MODE

[Test Mode 1]

• Step1 (Test mode 1 setting methods)

1. Connect TP445 (CD TEST 1) to the TP444 (GND).
2. Insert external power supply.

• Step2 (Operation in the test mode 1)

1. The CD auto adjustment is not performed, but LCD test mode is displayed. Also, ESP is placed in OFF state and it does not turn ON.
2. The sled is operating while the  or  key is pressed. At this time, the spindle and tracking servos turn OFF.
3. The focus search is performed until the focus becomes OK, if the  key is pressed. At this time, the spindle and tracking servos turn OFF. Also, when the focus becomes OK, the optical pick-up moves to almost center of 12 cm disc.
4. The spindle and tracking servos turn ON when the  key is pressed. Also, the mute turns OFF if the data is correct.

• Step3 (Resetting of test mode 1)








1. Remove external power supply.
2. Disconnect TP445 (CD TEST 1) and TP444 (GND).






[Test Mode 2]


• Step1 (Test mode 2 setting methods)

1. Connect TP447 (CD TEST 2) to the TP444 (GND).
2. Insert external power supply.

• Step2 (Operation in the test mode 2)

1. The CD auto adjustment is performed. Also, the ESP can be turned ON or OFF.
2. The sled is operating while the  or  key is pressed. At this time, the spindle and tracking servos turn OFF.
3. The focus search is performed until the focus becomes OK, if the  key is pressed. At this time, the spindle and tracking servos turn OFF. Also, when the focus becomes OK, the optical pick-up moves to almost center of 12 cm disc.
4. The spindle and tracking servos turn ON when the  key is pressed. Also, the mute turns OFF if the data is correct.
5. The pickup jumps by one track if  or  key is pressed when the spindle and tracking servos turn ON, or it jumps continuously if the key is kept pressed. Also, if the  key is pressed, the following operation is performed.

	1 track jump
	4 track jump
	16 track jump
	32 track jump
	256 track check

6. The pickup jumps to the second music and the test mode is released, if  key is pressed when the spindle and tracking servos turn ON.

[Test Mode 3]

• Step1 (Test mode 3 setting methods)

1. Connect TP448 (CD TEST 3) to the TP449 (GND).
2. Insert external power supply.

• Step2 (Operation in the test mode 3)

1. The same operation as in test mode 2 is performed. However, the LCD test mode is displayed same as in test mode 1.

[LCD Display Check Mode]

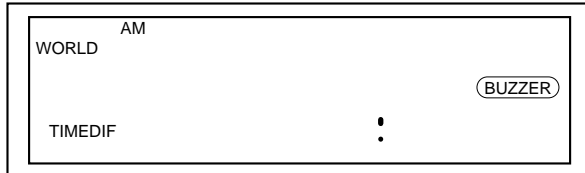
• **Step1 (LCD display check mode setting metyods)**

1. Connect TP446 (TUNER TEST) to the TP444 (GND).
2. Insert external power supply.

• **Step2 (Operation in the LCD display check mode)**

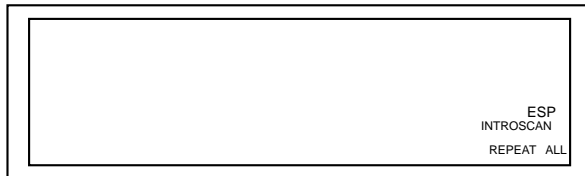
1. All segments of LCD light up if the LCD display check mode is activated.
2. If each key is pressed, the LCD display is as shown below. At the same time, for some keys, the following operation is performed.

CLOCK :



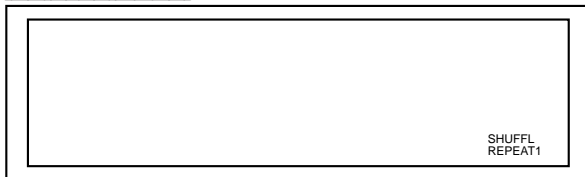
Beep sound ON

ESP :



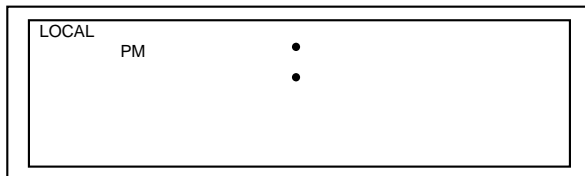
Beep sound ON

CD PLAY MODE :

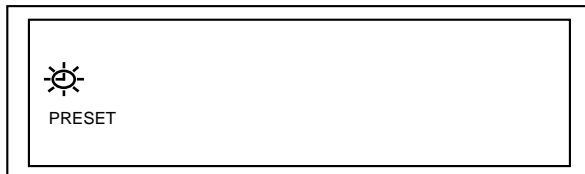


Beep sound OFF

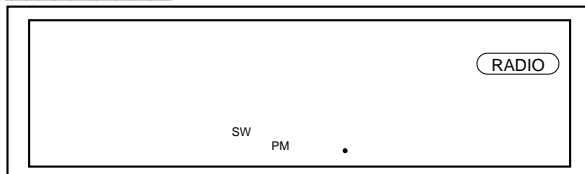
WORLD/LOCAL :



D.S.T SUMMER T. :

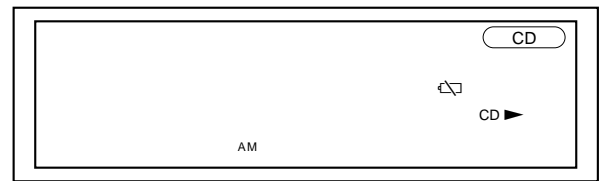


ALARM MODE :



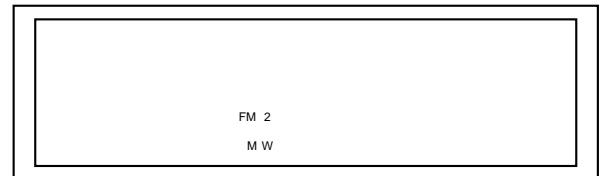
Buzzer sound ON

ALARM TIME :



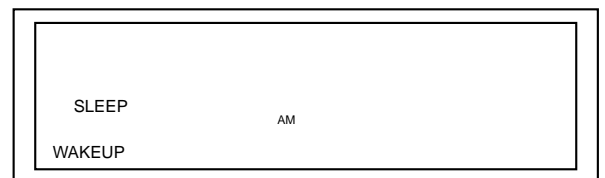
Buzzer sound OFF

SNOOZE :



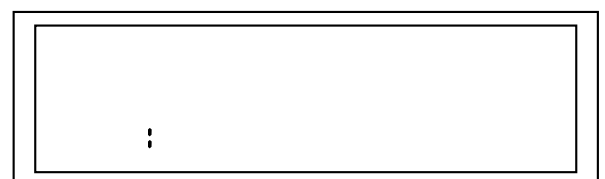
LED ON

ALARM TRACK/STATION :

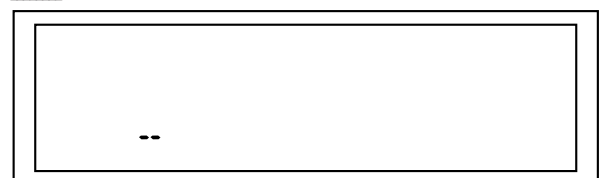


LED OFF

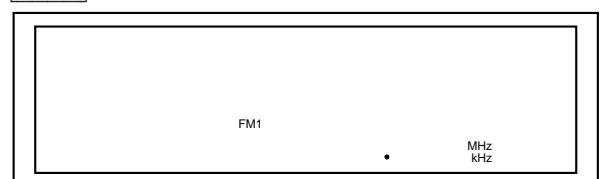
▶▶ :



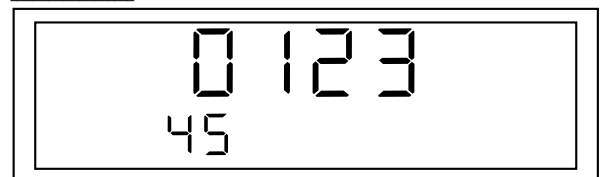
◀◀ :



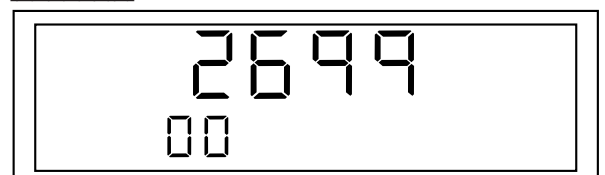
BAND :



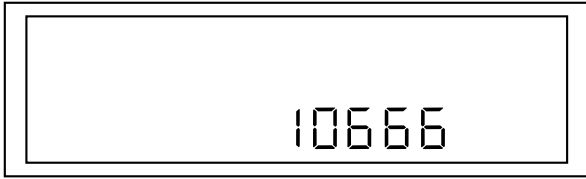
PRESET 1 :



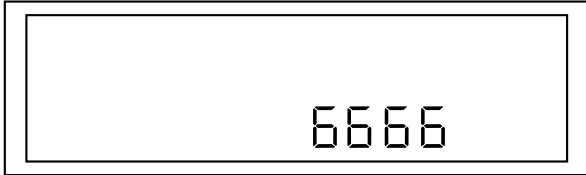
PRESET 2 :



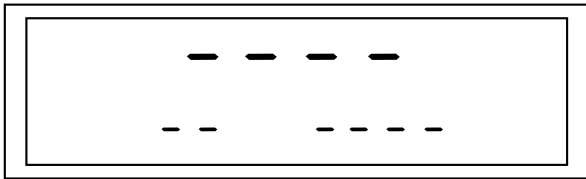
PRESET 3:



PRESET 4:



PRESET 5:



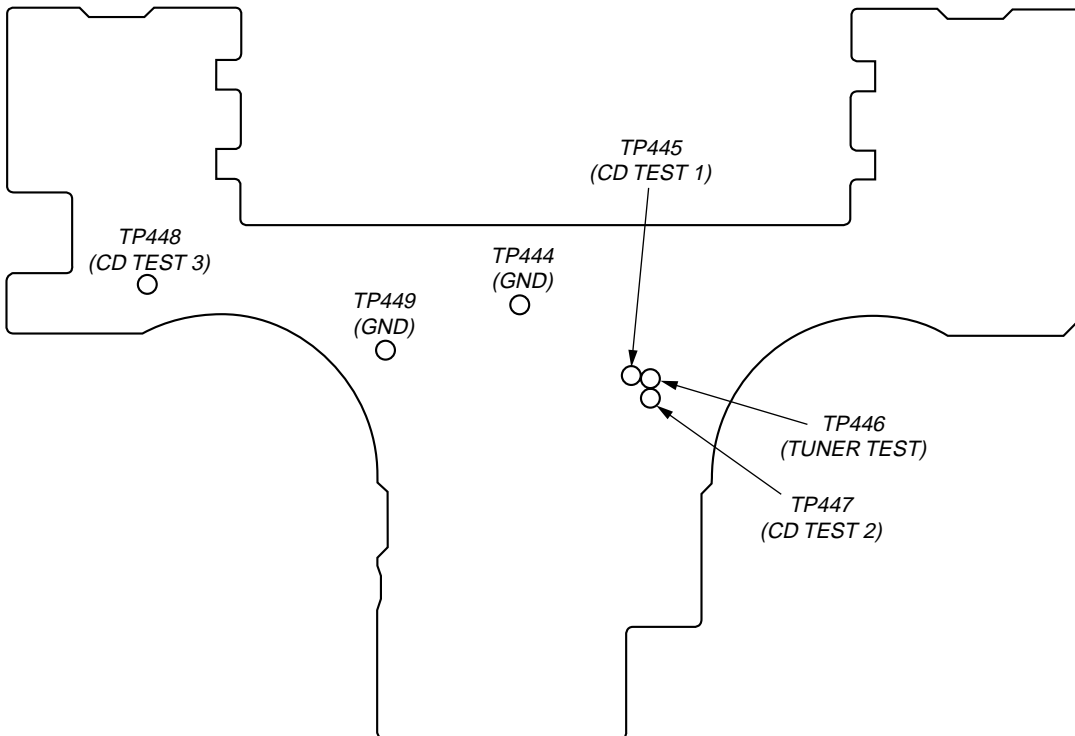
■ OFF, ALARM RESET: All lit

• **Step3 (Resetting of LCD display check mode)**

1. Remove external power supply.
2. Disconnect TP446 (TUNER TEST) and TP444 (GND).

Connecting Location:

– LCD Board (Conductor Side) –



SECTION 6 ELECTRICAL ADJUSTMENTS

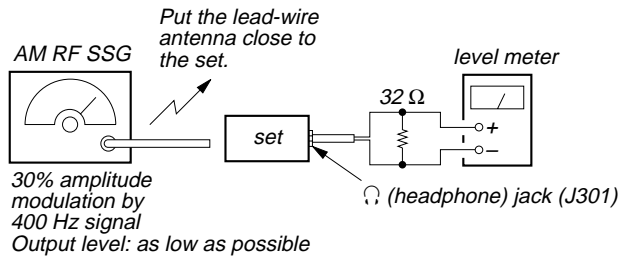
TUNER SECTION

0 dB=1 μ V

[AM (MW)]

Setting:

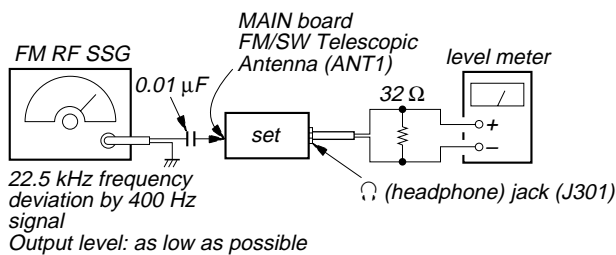
Band switch : AM (MW)



[FM]

Setting:

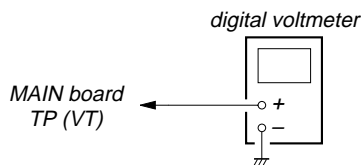
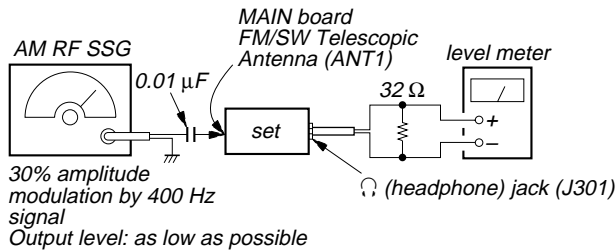
Band switch : FM



[SW] (ICF-CD2000S)

Setting:

Band switch : SW



- Repeat the procedures in each tracking adjustment several times, and the frequency coverage and tracking adjustments should be finally done by the trimmer capacitors.

AM (MW) FREQUENCY COVERAGE ADJUSTMENT		
Adjustment Part	Frequency Display	Reading on Digital Voltmeter
L13	530 (531) kHz	1.7 V
Confirmation	1,710 (1,602) kHz	8.5 V (9.0 V)

no mark: US, CND () : AEP, UK, E, SP, JE

AM (MW) TRACKING ADJUSTMENT	
Adjust for a maximum reading on level meter	
L7	580 kHz (621 kHz) <621 kHz>
CT2	1,490 kHz (1,404 kHz) <1,485kHz>

no mark: US, CND () : AEP, UK < > : E, SP, JE

FM FREQUENCY COVERAGE ADJUSTMENT		
Adjustment Part	Frequency Display	Reading on Digital Voltmeter
Confirmation	87.5 MHz <76.0 MHz>	2.3 V <1.5 V>
Confirmation	108 MHz <108.0 MHz>	11 V <8.8 V>

no mark: US, CND, AEP, UK < > : E, SP, JE

FM TRACKING ADJUSTMENT	
Adjust for a maximum reading on level meter	
L14	87.5 MHz
CT2	108.0 MHz

SW FREQUENCY COVERAGE ADJUSTMENT		
Adjustment Part	Frequency Display	Reading on Digital Voltmeter
L12	5.8 MHz	1.75 \pm 0.1 V
Confirmation	15.6 MHz	8.5 V \pm 1 V

ICF-CD2000S

SW TRACKING ADJUSTMENT	
Adjust for a maximum reading on level meter	
L8	5.8 MHz
CT1	15.6 MHz

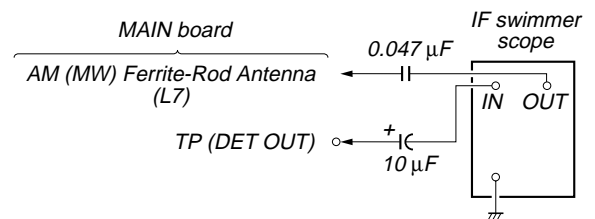
ICF-CD2000S

Adjustment Location: MAIN board (See page 16)

AM IF Adjustment

Procedure:

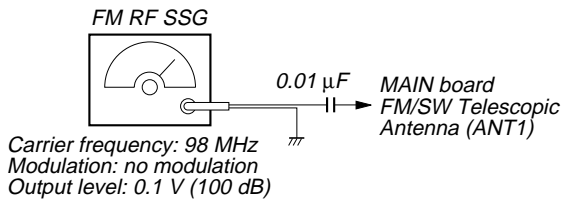
- Connect the IF swimmer scope as shown below.
- Set the BAND switch to AM position.
- Adjust the T1 so that the frequency of IF swimmer scope is 450 kHz and the waveform is symmetric in relation to the maximum value.



Adjustment Location: MAIN board (See page 16)

FM VCO Adjustment

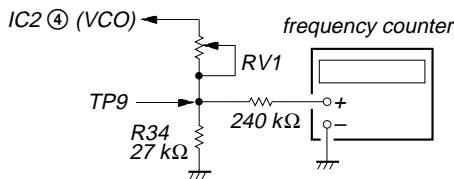
Setting:



Procedure:

1. Connect the frequency counter as shown the figure below. (Use a frequency counter having high input impedance)
2. Set the BAND switch to FM position.
3. Tune the set to 98 MHz.
4. Adjust RV1 for 76 kHz reading on the frequency counter.

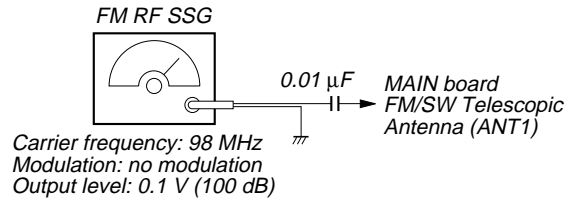
Specified Value: 75.5 to 76.5 kHz



Adjustment Location: MAIN board

FM AUTO SCAN Adjustment

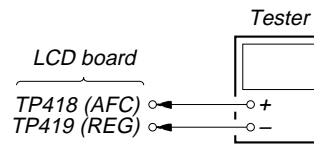
Setting:



Procedure:

1. Connect the tester as shown the figure below.
2. Set the BAND switch to FM position.
3. Tune the set to 98 MHz.
4. Adjust RV2 for +0.275 V reading on the tester.
5. Make sure that the TP429 on LCD board is over 2.4 V.

Specified Value: +0.274 to 0.276 V



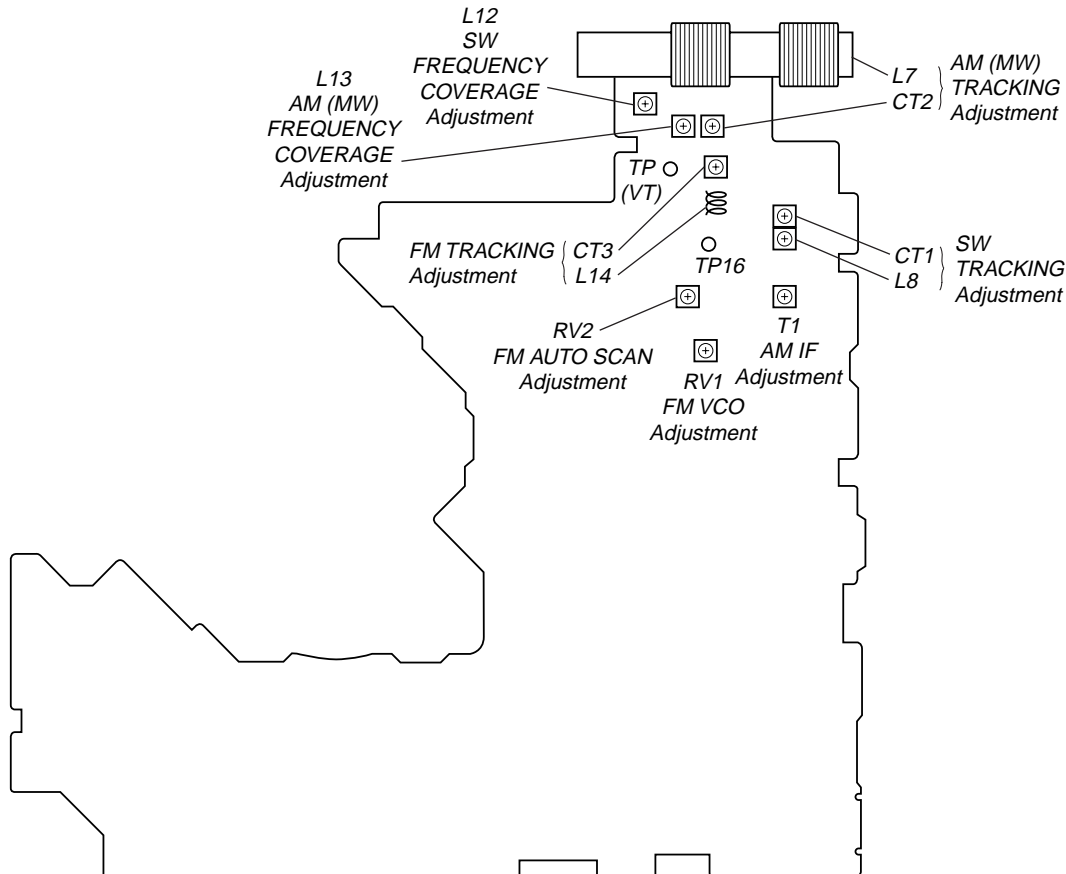
Adjustment Location: MAIN board

AM AUTO SCAN Check

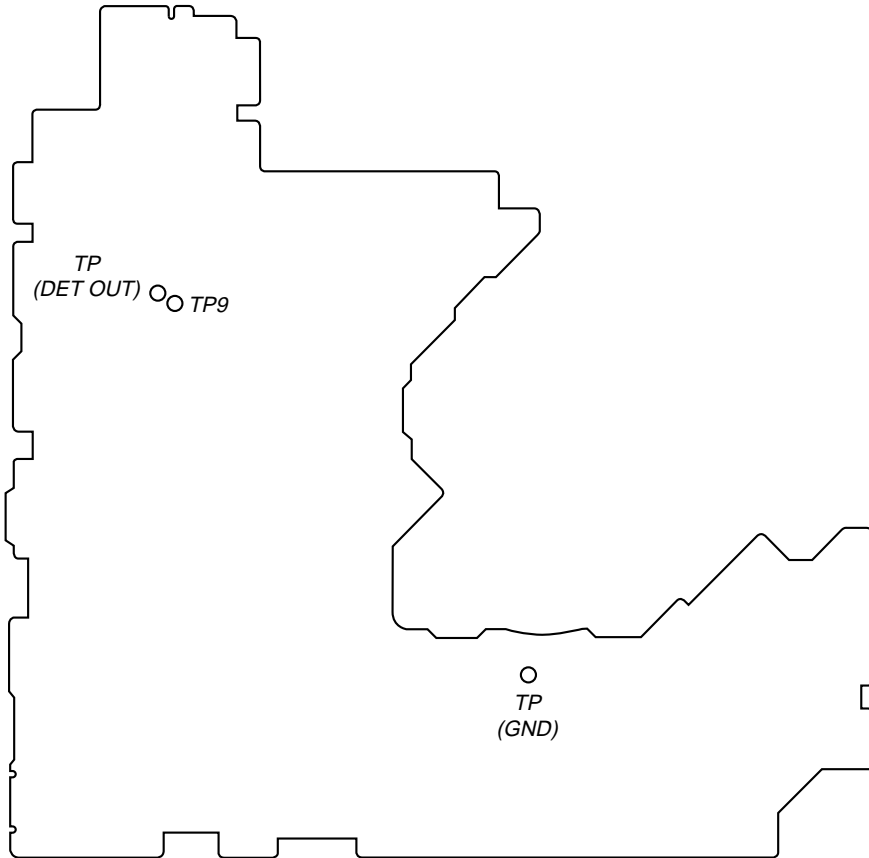
In case of failure, check AM tracking adjustment and AM IF adjustment, as there is no place to be adjusted. Also, confirm that the TP16 on the MAIN board voltage is 3.3 V during auto scan and the TP429 on the LCD board is over 2.4 V at the reception of AM.

Adjustment and Check Location:

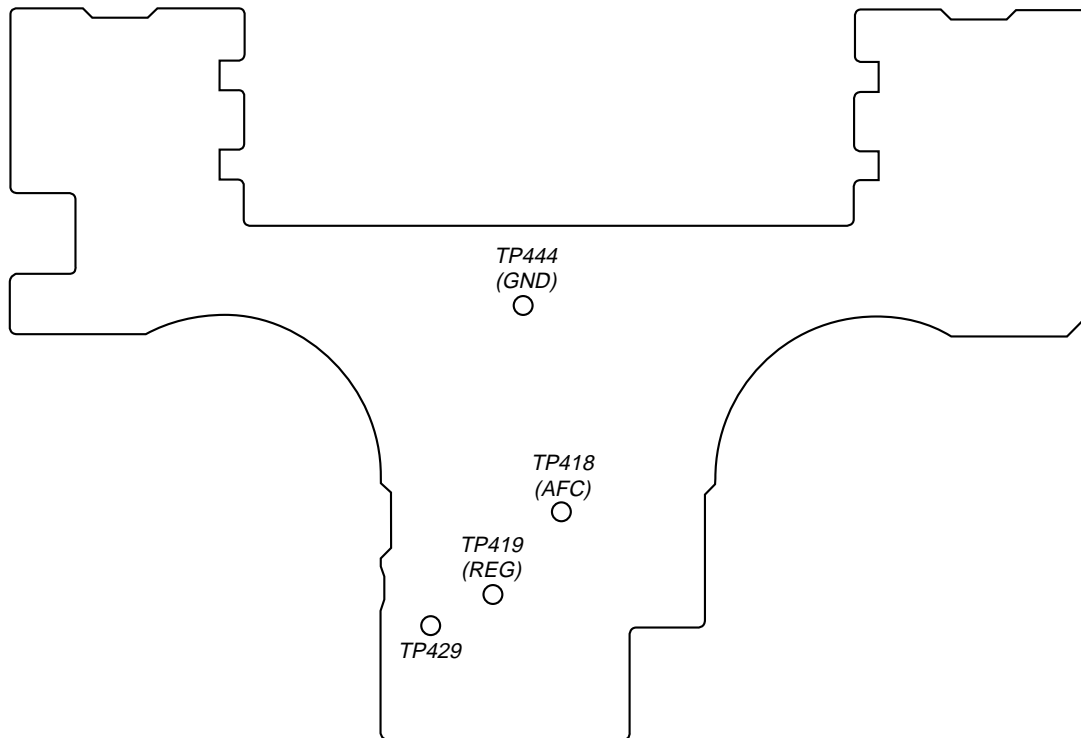
– MAIN Board (Component side) –



– MAIN Board (Conductor side) –



– LCD Board (Conductor side) –



CD SECTION

Precautions for Adjustment

- Before beginning adjustment, set the equipment to service mode.
After the completion of adjustment, be sure to reset the service mode.
For more information, see "Service Mode (service program)" on page 10.
- Perform adjustments in the order given.
- Use YEDS-18 disc (Part No.: 3-702-101-01) unless otherwise indicated.
- Power supply voltage requirement: DC6 V in battery terminal
VOLUME knob : Minimum
MEGA BASS switch : OFF

Before Beginning Adjustment

Set the equipment to service mode (See page 11) and check the following. If there is an error, repair the equipment.

• Checking of the sled motor

- Open the upper panel.
- Press the **▶▶** and **◀◀** keys and check that the optical pick-up can move smoothly without sluggishness or abnormal noise in innermost periphery → outermost periphery → innermost periphery
▶▶ : The optical pick-up moves outwardly.
◀◀ : The optical pick-up moves inwardly.

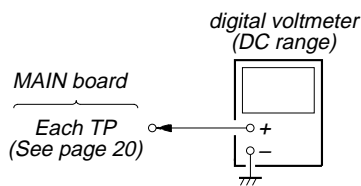
• Checking of focus searching

- Open the upper panel.
- Press the **CD▶▶** key. (Focus searching operation is activated continuously)
- Check the object lens of the optical pick-up for smooth up/down motion without sluggishness or abnormal noise.

VCC Check

Use a SUM-3 battery for VCC check

Check Procedure:



- Set the equipment to service mode stop state. (See page 11)
- Connect the digital voltmeter to each test point on the MAIN board as follows.
- Confirm that the reading on digital voltmeter satisfy specified value of each test point.

Test point	Specified value
+3 V	3.2 V
+3.4 V	3.2 V
DV	4.5 V
MDV	2.6 V
OPDV	1.75 V
POWER +B	3.8 V
PRE +B	3.8 V
PRE VC	1.6 V

- After the completion of adjustment, reset service mode. (See page 11)

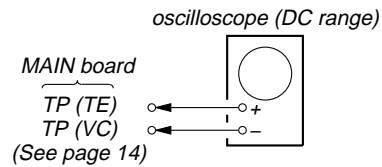
Check Location: MAIN Board (See page 20)

Tracking Balance Check

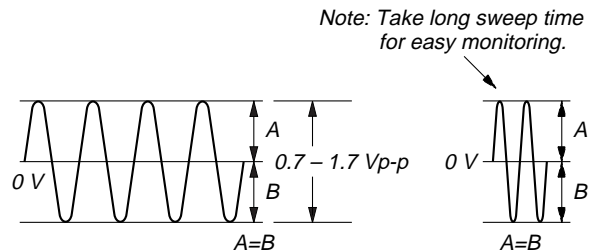
Condition:

- Hold the set in horizontal state.

Check Procedure:



- Put the disc (YEDS-18).
- Connect the oscilloscope to TP (TE) and TP (VC) on the MAIN board.
- Set the equipment to service mode stop state. (See page 11)
- Confirm that the waveform on the oscilloscope becomes up/down symmetrical with an axis of 0 V.



- After the completion of adjustment, reset service mode. (See page 11)

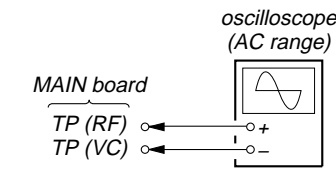
Check Location: MAIN Board (See page 20)

Focus bias Check

Condition:

- Hold the set in horizontal state.

Check Procedure:

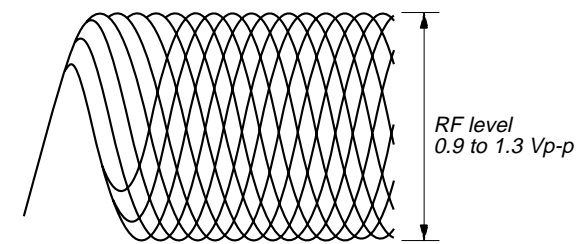


(See page 14)

1. Put the disc. (YEDS-18)
2. Set the equipment to service mode stop state. (See page 11)
3. Connect the oscilloscope to the test point TP (RF) on the MAIN board.
4. Move the optical pick-up to the center by pressing the **▶▶▶** and **◀◀◀** keys.
5. Press the **[BAND]** key. (Both tracking and sled are turned ON)
6. Check the oscilloscope waveform is as shown below.
A good eye pattern means that the diamond shape (◇) in the center of the waveform can be clearly distinguished.

RF Signal Reference Waveform (Eye Pattern)

VOLT/DIV : 200 mV (With the 10:1 probe in use)
TIME/DIV : 500 ns



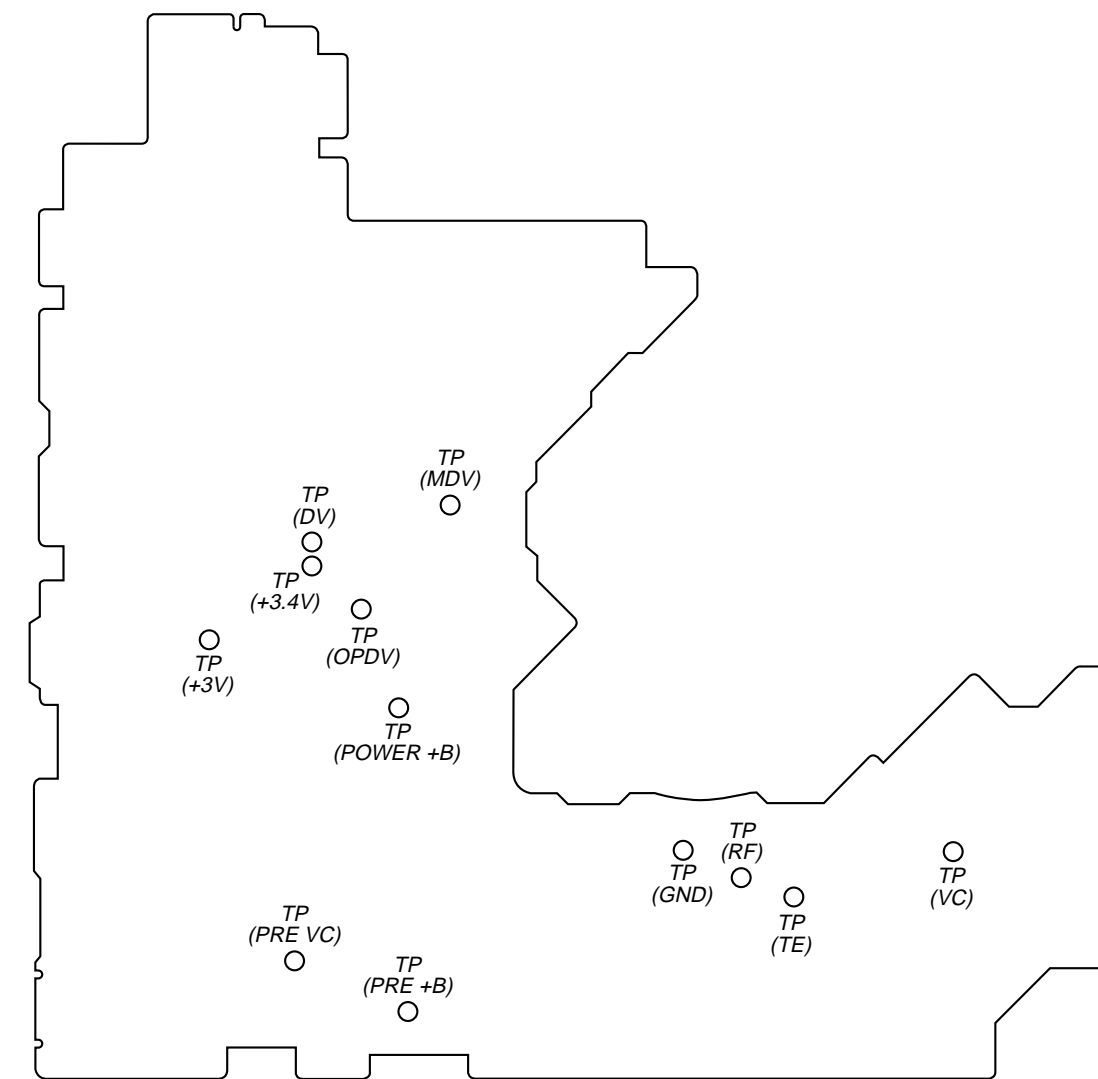
To watch the eye pattern, set the oscilloscope to AC range and increase the vertical sensitivity of the oscilloscope for easy watching.

7. Stop revolving of the disc motor by pressing the **■ OFF ALARM RESET** key.
8. After the completion of adjustment, reset service mode. (See page 11)

Check Location: MAIN Board (See page 20)

Check Location:

– MAIN Board (Conductor Side) –



SECTION 7 DIAGRAMS

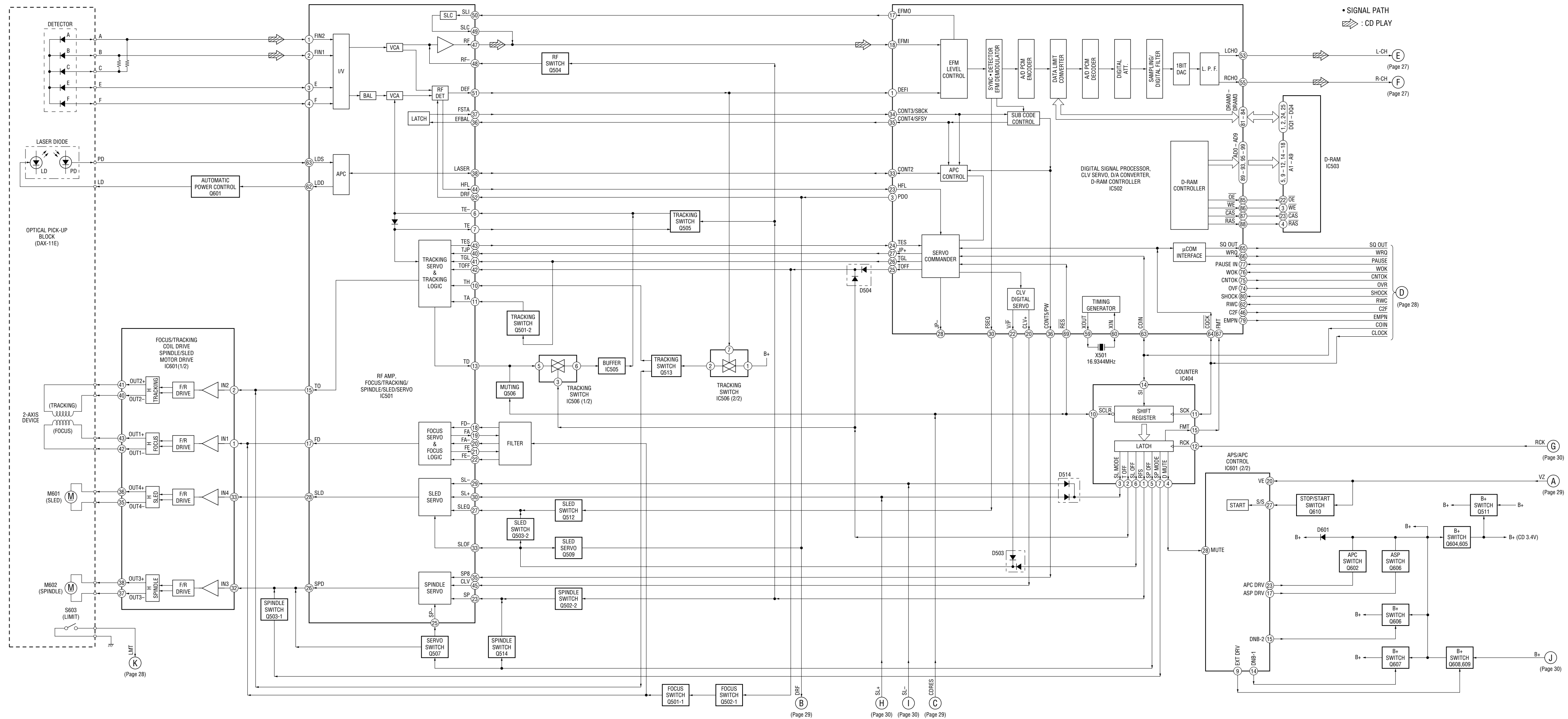
7-1. IC PIN FUNCTION DESCRIPTION

• LCD BOARD IC401 LC867124A-5M74 (SYSTEM CONTROLLER, LCD DRIVER)

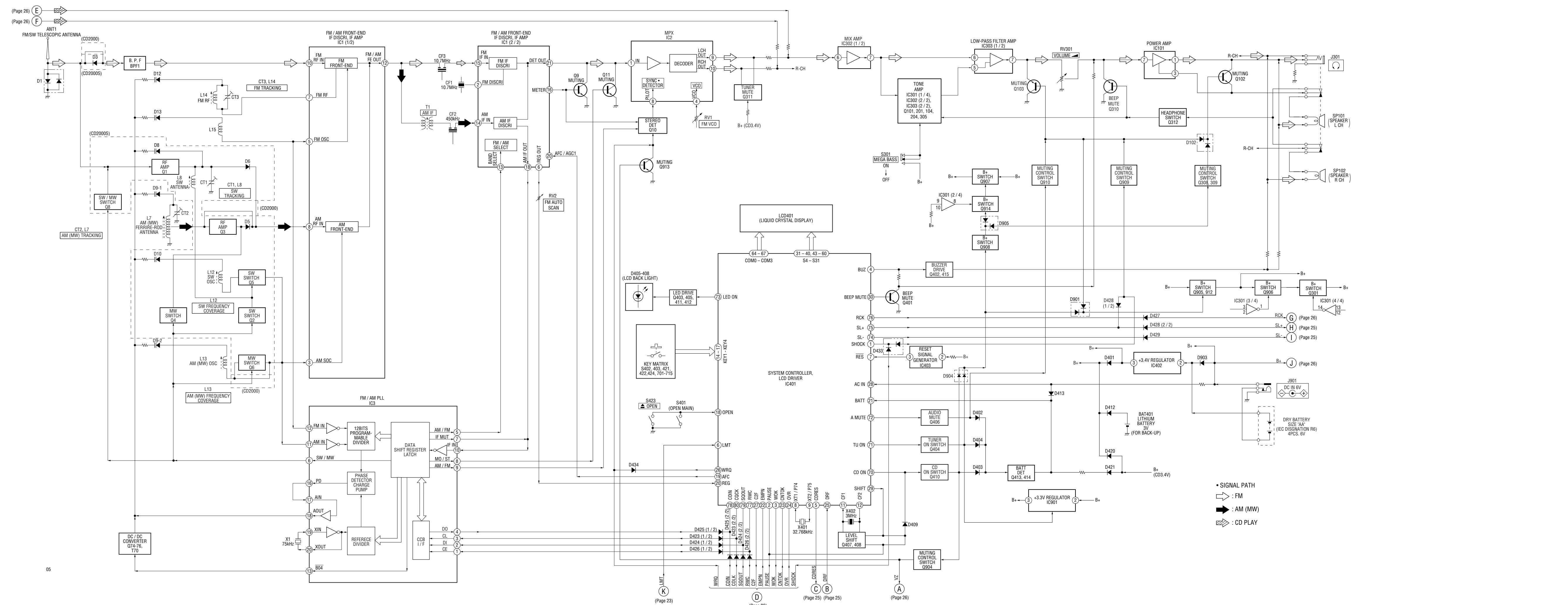
Pin No.	Pin Name	I/O	Description
1	SHOCK	O	C2 flag shock detection once danger signal output to the LC78626KE (IC502) “L”: shock detection danger
2	PAUSE	O	Pause signal output to the LC78626KE (IC502) “H”: pause
3	WOK	O	D-RAM writing enable signal output to the LC78626KE (IC502) “H”: writing enable
4	BUZ	O	Buzzer sound drive signal output terminal
5	CORES	O	External reset signal output to the CD control signal counter (IC404) and LC78626KE (IC502) “L”: reset
6	LMT	I	Sled limit-in detection switch (S603) input terminal
7	RES	I	System reset signal input from the reset signal generator (IC402) “L”: reset For several hundreds msec. after the power supply rises, “L” is input, then it changes to “H”
8	XT1/P74	I	Sub system clock input terminal (32.768 kHz)
9	XT2/P75	O	Sub system clock output terminal (32.768 kHz)
10	VSS1	—	Ground terminal
11	CF1	I	Main system clock input terminal (3 MHz)
12	CF2	O	Main system clock output terminal (3 MHz)
13	VDD1	—	Power supply terminal (+2.8V)
14	KEY1	I	Key input terminal (A/D input) S402, S403, S421, S422, S424 (WORLD/LOCAL, D.S.T. SUMMER T., ESP, CD PLAY MODE, CLOCK) keys input
15	KEY2	I	Key input terminal (A/D input) S711 to S715 (TUNE/SCAN TIME SET – ◀◀◀, ALARM TRACK/STATION, ALARM TIME, ALARM MODE, BAND) keys input
16	KEY3	I	Key input terminal (A/D input) S706 to S710 (STATION ●SELECT/●PRESET 1/2/3/4/5) keys input
17	KEY4	I	Key input terminal (A/D input) S701 to S705 (TUNE/SCAN TIME SET + ▶▶▶, SNOOZE SLEEP OFF/LIGHT, ■ OFF ALARM RESET, RADIO SLEEP, CD ▶▶▶) keys input
18	OPEN	I	CD door open/close detection switch (S423) input terminal
19	AFC	O	AFC control signal output to the CXA1111N (IC1) when FM reception
20	REG	I	Input of monitor signal of constant-voltage power supply generated from CXA1111N (IC1) (A/D input)
21	BATT	I	Battery voltage detection input terminal
22	EMPN	I	D-RAM low capacity alarm signal input from the LC78626KE (IC502) “L”: less capacity
23	CNTOK	I	Data connection point detect completion signal input from the LC78626KE (IC502) “H”: detection completed (D-RAM writing starts)
24	OVR	I	D-RAM writing interruption signal input from the LC78626KE (IC502) (RZP pulse signal input in case of overflow or shock)
25	DRF	I	DRF (focusing detection) signal input from the LA9251M (IC501)
26	WRQ	I	Subcode Q output standby input from the LC78626KE (IC502)
27	C2F	I	C2 flag signal input from the LC78626KE (IC502)
28	AC IN	I	Power failure detection input terminal “L”: power on, “H”: power failure
29	SHIFT	O	Shift clock output of the main system clock (3 MHz) “H” active
30	BEEP MUTE	O	Beep sound muting on/off control signal output terminal “L”: muting on
31 to 40	S4 to S13	O	Segment drive signal output to the liquid crystal display (LCD401)
41	VDD3	—	Power supply terminal (+2.8V)
42	VSS3	—	Ground terminal
43 to 60	S14 to S31	O	Segment drive signal output to the liquid crystal display (LCD401)

Pin No.	Pin Name	I/O	Description
61	CE2	I	Setting terminal for the model Not used
62	CE3	I	Setting terminal for the model “L”: ICF-CD2000, “H”: ICF-CD2000S
63	J	I	Setting terminal for the model “H”: E, Singapore, Tourist model
64 to 67	COM0 to COM3	O	Common drive signal output to the liquid crystal display (LCD401)
68	VSS2	—	Ground terminal
69	VDD2	—	Power supply terminal (+2.8V)
70	CD ON	O	Power on/off control signal output for the CD mechanism section “L”: power on
71	TU ON	O	Power on/off control signal output for the tuner section “L”: power on
72	A MUT	O	Audio line muting on/off control signal output terminal “L”: muting on
73	LED ON	O	LED drive signal output of the liquid crystal display (LCD401) back light (D405 to D408) indicator
74	SL –	O	Sled servo drive signal output to the LA9251M (IC501)
75	SL +	O	Sled servo drive signal output to the LA9251M (IC501)
76	RCK	O	Serial data latch pulse signal output to the CD control signal counter (IC404)
77	RWC	O	At tuner mode : PLL serial data latch pulse signal output to the FM/AM PLL (IC3) At CD mode : Reading/writing control signal output to the LC78626KE (IC502) (shumitt output)
78	COIN	I	At tuner mode : PLL serial data input from the FM/AM PLL (IC3) At CD mode : Command serial data input from the LC78626KE (IC502)
79	SQOUT	O	At tuner mode : PLL serial data output to the FM/AM PLL (IC3) At CD mode : Subcode Q data output to the LC78626KE (IC502)
80	CQCK	O	At tuner mode : PLL serial data transfer clock signal output to the FM/AM PLL (IC3) At CD mode : Subcode Q data reading clock signal output to the LC78626KE (IC502)

7-2. BLOCK DIAGRAM - CD Section -



7-3. BLOCK DIAGRAM - MAIN Section -



• Semiconductor Location

Ref. No.	Location	Ref. No.	Location	Ref. No.	Location	Ref. No.	Location
D1	D-15	D433	E-19	Q1	D-15	Q505	K-13
D3	C-15	D434	D-19	Q2	D-17	Q506	J-2
D5	C-16	D501	J-25	Q3	B-16	Q507	L-23
D6	D-16	D502	J-5	Q4	B-17	Q509	J-5
D8	D-15	D503	K-5	Q5	C-17	Q511	K-8
D9	B-17	D504	K-22	Q6	C-17	Q512	L-3
D10	B-17	D512	K-22	Q8	B-16	Q513	J-25
D12	C-16	D514	L-20	Q9	E-10	Q514	L-23
D13	C-17	D601	F-17	Q10	E-9	Q601	I-25
D14	E-9	D602	F-9	Q11	E-10	Q602	F-17
D70	F-11	D901	J-19	Q74	G-11	Q603	F-18
D71	F-11	D902	F-2	Q75	G-11	Q604	F-10
D101	K-9	D903	I-15	Q76	F-15	Q605	F-10
D102	J-16	D904	E-9	Q101	K-17	Q606	G-10
D103	I-18	D905	I-17	Q102	J-16	Q607	G-17
D104	D-12			Q103	K-12	Q608	H-16
D201	K-9	IC1	D-16	Q104	K-18	Q609	H-16
D202	J-16	IC2	F-11	Q201	K-17	Q610	F-9
D203	I-18	IC3	D-9	Q202	J-16	Q904	E-8
D204	K-15	IC101	I-17	Q203	K-15	Q905	J-16
D301	J-18	IC201	I-9	Q204	K-18	Q906	L-18
D304	J-10	IC301	J-9	Q301	I-18	Q907	I-16
D307	K-15	IC302	K-10	Q305	K-10	Q908	H-16
D308	I-8	IC303	K-16	Q308	I-18	Q909	G-15
D423	D-20	IC404	L-21	Q309	H-10	Q910	K-8
D424	D-20	IC501	J-4	Q310	J-17	Q912	K-18
D425	D-20	IC502	K-6	Q311	I-8	Q913	E-18
D426	D-20	IC503	K-20	Q312	K-16	Q914	I-17
D427	E-20	IC505	J-2	Q501	K-24		
D428	E-20	IC506	J-1	Q502	K-23		
D429	D-20	IC601	G-9	Q503	L-23		
D430	D-7	IC901	H-15	Q504	J-4		

Note on Printed Wiring Boards:

- : parts extracted from the component side.
- ◐ : parts extracted from the conductor side.
- : indicates side identified with part number.
- ⦿ : Through hole.
- △ : internal component.
- ▨ : Pattern from the side which enables seeing. (The other layers' patterns are not indicated.)

Caution:

Pattern face side: Parts on the pattern face side seen from the pattern face are indicated.
 Conductor Side

Parts face side: Parts on the parts face side seen from the parts face are indicated.
 Component Side

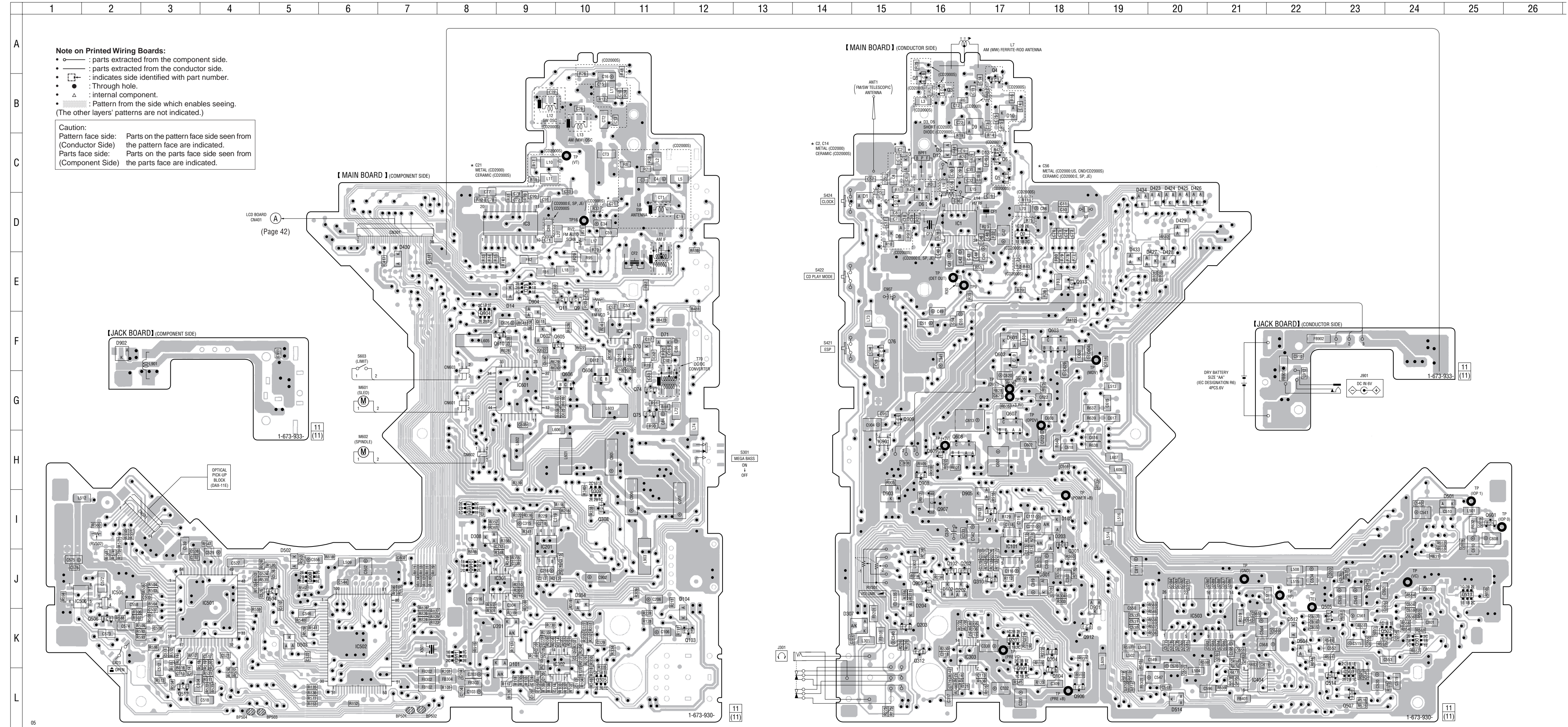
Note on Schematic Diagram:

- All capacitors are in μF unless otherwise noted. pF: μpF 50 WV or less are not indicated except for electrolytics and tantalums.
- All resistors are in Ω and $1/4\text{W}$ or less unless otherwise specified.
- % : indicates tolerance.
- △ : internal component.
- : panel designation.

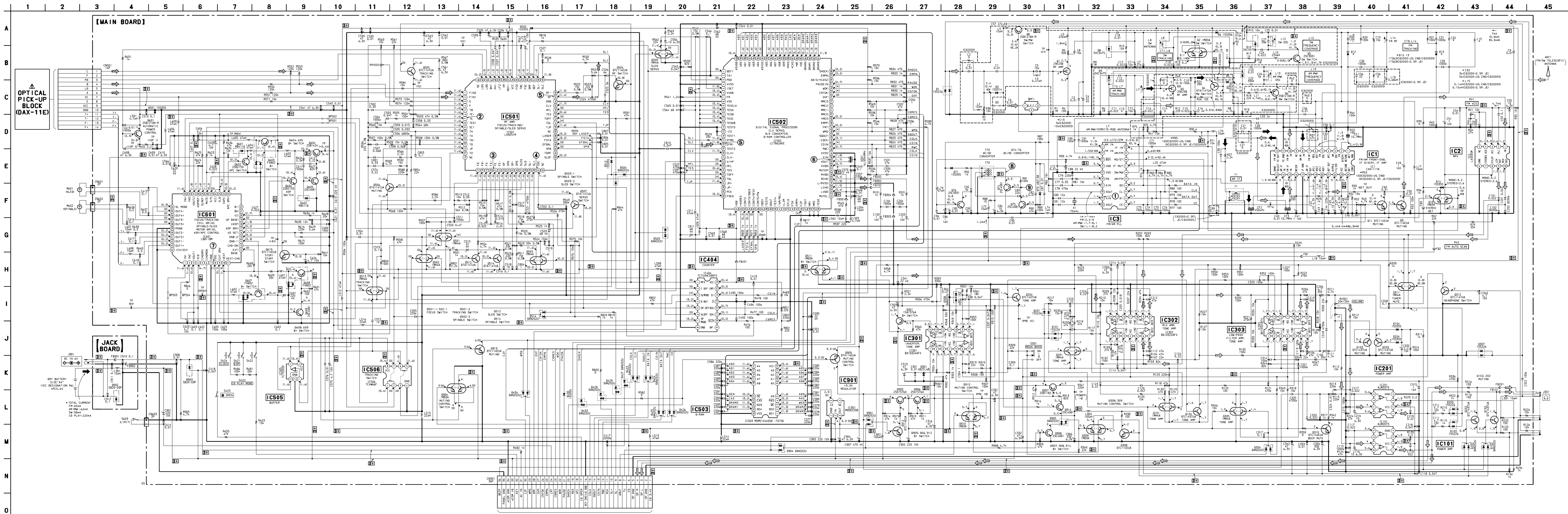
Note:
 The components identified by mark Δ or dotted line with mark Δ are critical for safety. Replace only with part number specified.

Note:
 Les composants identifiés par une marque Δ sont critiques pour la sécurité. Ne les remplacer que par une pièce portant le numéro spécifié.

- ⊕ : B+ Line.
- ⊖ : adjustment for repair.
- Power voltage is dc 6V and fed with regulated dc power supply from external power Voltage jack.
- Voltages and waveforms are dc with respect to ground under no-signal (detuned) conditions.
- no mark : FM
- () : AM (MW)
- () : SW
- [] : CD PLAY
- * : impossible to measure
- Voltages are taken with a VOM (Input impedance 10 M Ω). Voltage variations may be noted due to normal production tolerances.
- Waveforms are taken with an oscilloscope. Voltage variations may be noted due to normal production tolerances.
- Circled numbers refer to waveforms.
- Signal path.
- ⤴ : FM
- ⤵ : AM (MW)
- ⤶ : CD PLAY
- Abbreviation
- CND : Canadian model
- JE : Tourist model
- SP : Singapore model

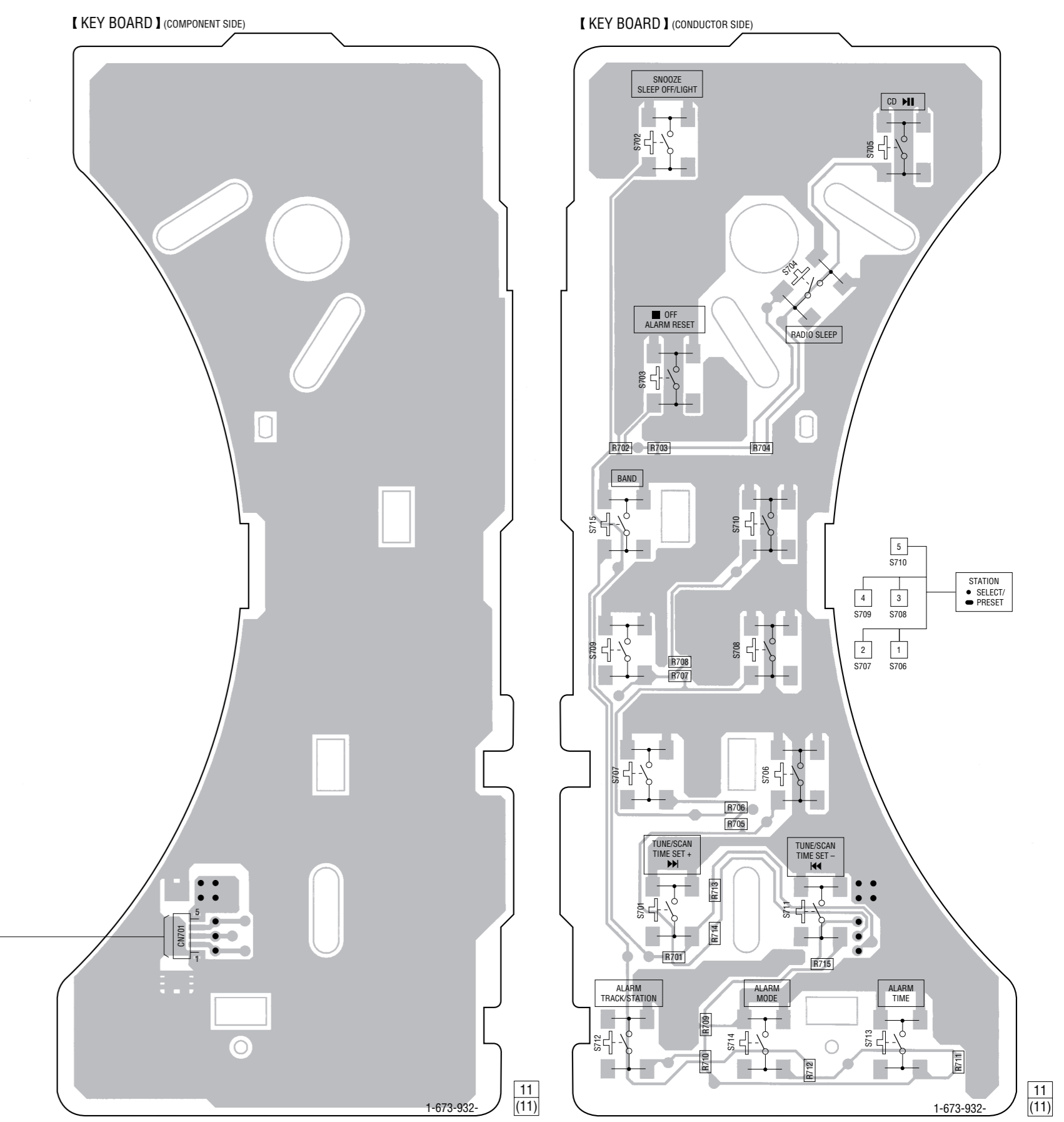
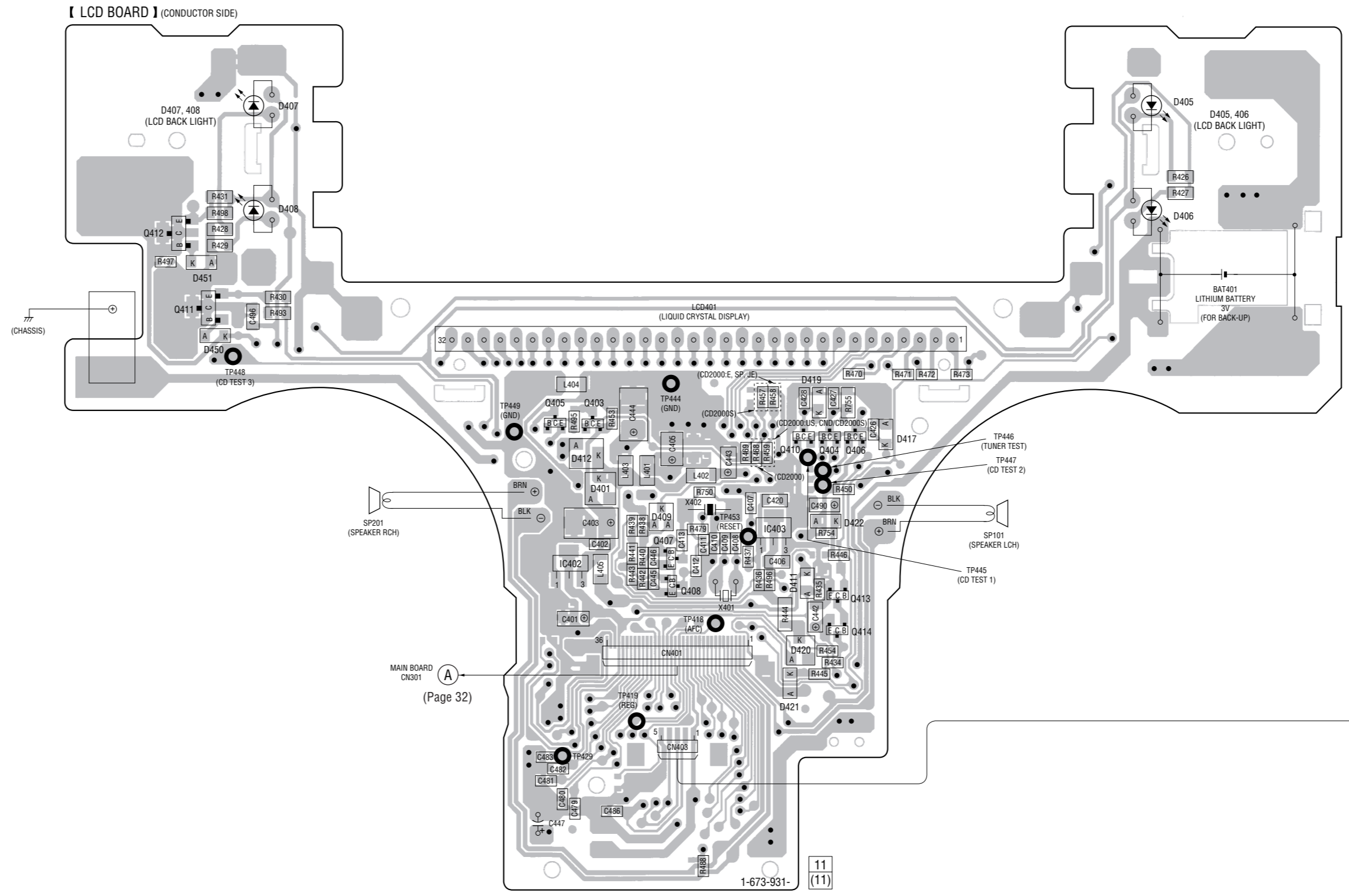
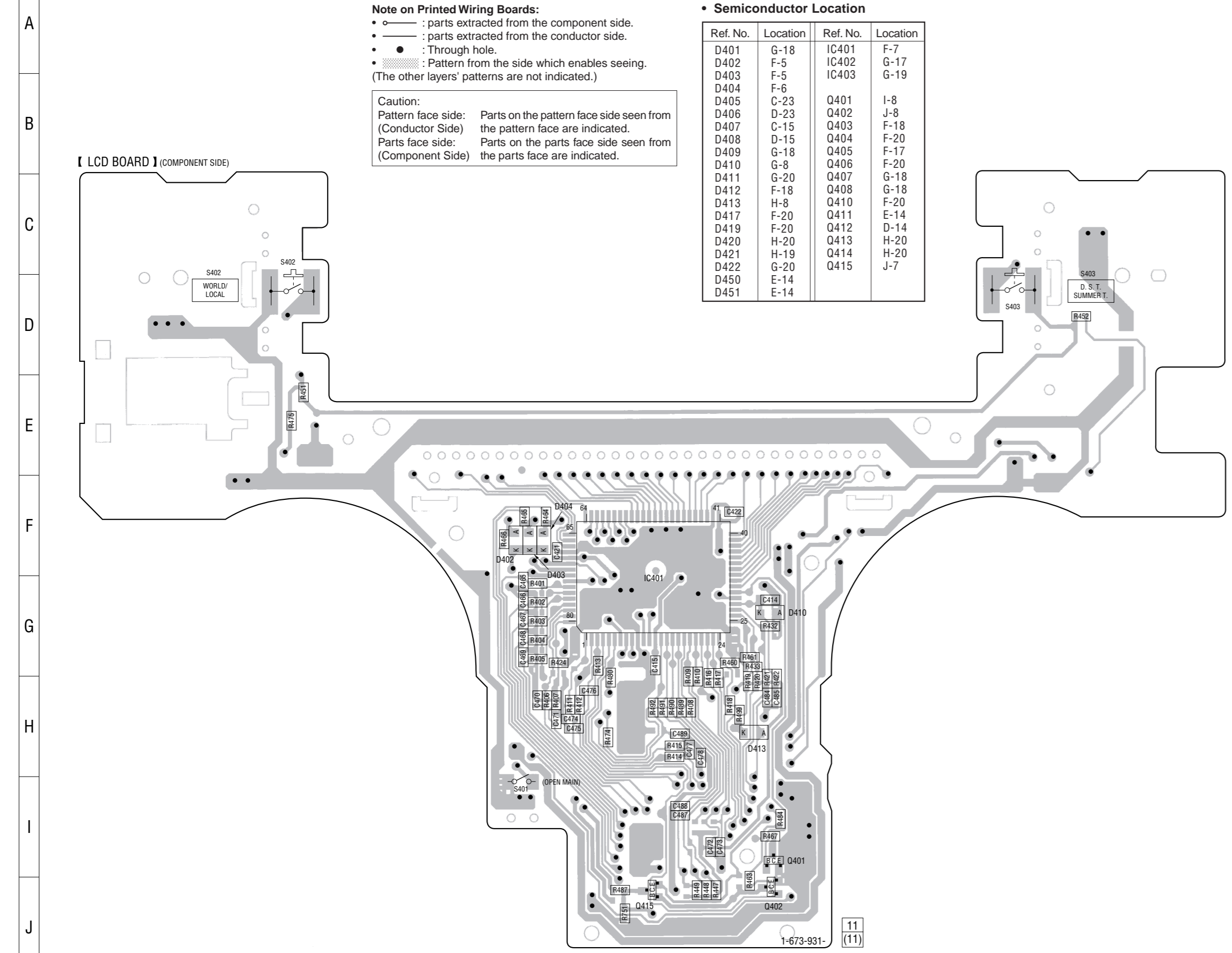


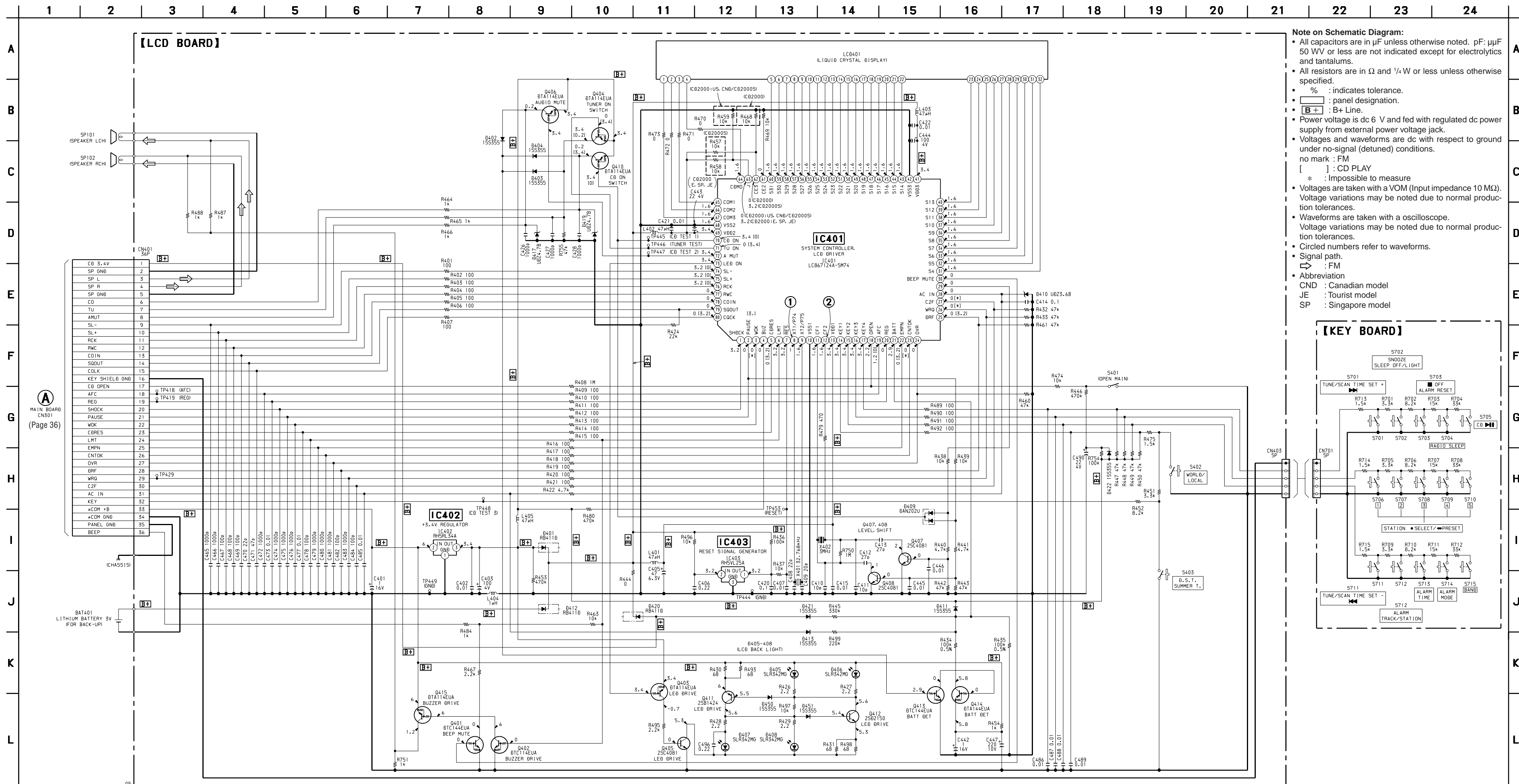
7-5. SCHEMATIC DIAGRAM - MAIN/JACK Boards - See page 48 for Waveforms. See page 49 for IC Block Diagrams.



7-6. PRINTED WIRING BOARDS - LCD/KEY Boards -

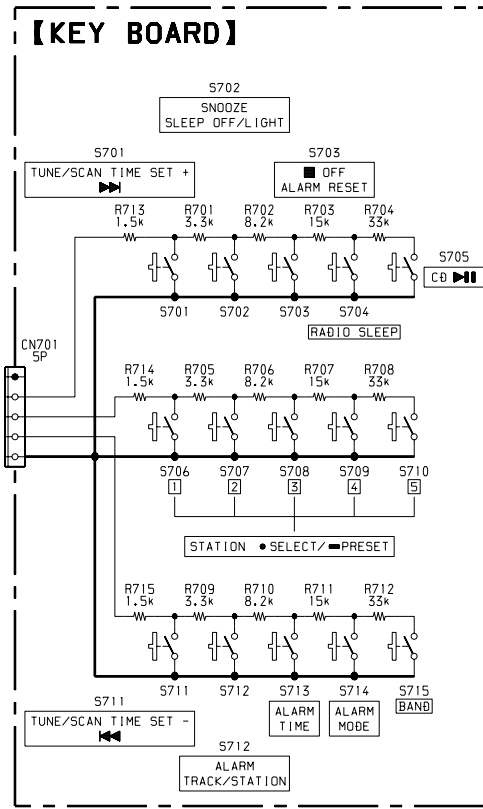
1 2 3 4 5 6 7 8 9 10 11 12 13 14 15 16 17 18 19 20 21 22 23 24 25 26 27 28 29 30 31 32 33





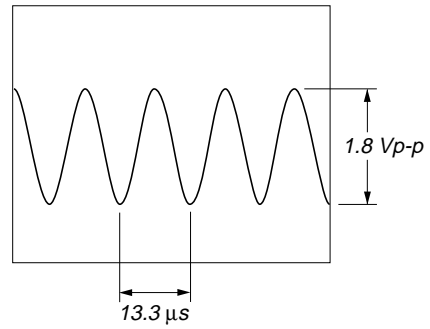
Note on Schematic Diagram:

- All capacitors are in μF unless otherwise noted. pF : μF 50 WV or less are not indicated except for electrolytics and tantalums.
- All resistors are in Ω and $1/4$ W or less unless otherwise specified.
- % : indicates tolerance.
- : panel designation.
- B+ : B+ Line.
- Power voltage is dc 6 V and fed with regulated dc power supply from external power voltage jack.
- Voltages and waveforms are dc with respect to ground under no-signal (detuned) conditions.
- no mark : FM
- [] : CD PLAY
- * : Impossible to measure
- Voltages are taken with a VOM (Input impedance 10 M Ω). Voltage variations may be noted due to normal production tolerances.
- Waveforms are taken with an oscilloscope. Voltage variations may be noted due to normal production tolerances.
- Circled numbers refer to waveforms.
- Signal path.
- ◁ : FM
- Abbreviation
- CND : Canadian model
- JE : Tourist model
- SP : Singapore model

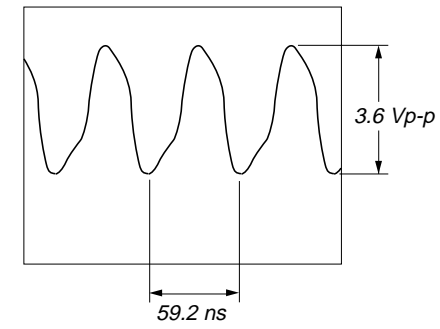


• Waveforms
– MAIN Board –

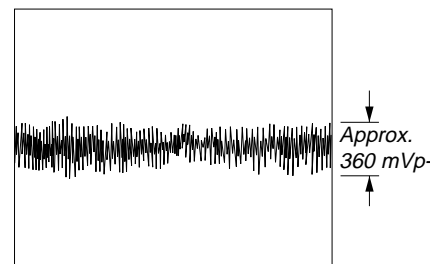
1 IC3 (XIN) (Radio ON Mode)
500 mV/DIV, 5 μs/DIV



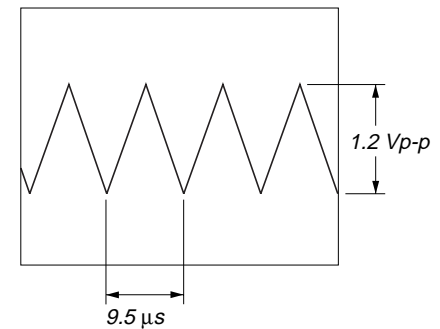
2 IC502 (XOUT) (CD Play Mode)
1 V/DIV, 20 ns/DIV



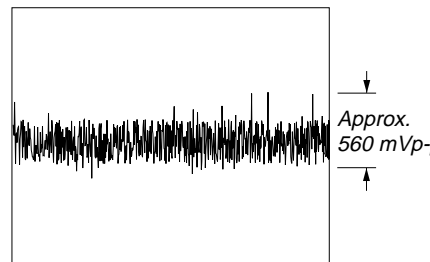
3 IC501 (TE) (CD Play Mode)
200 mV/DIV, 5 ms/DIV



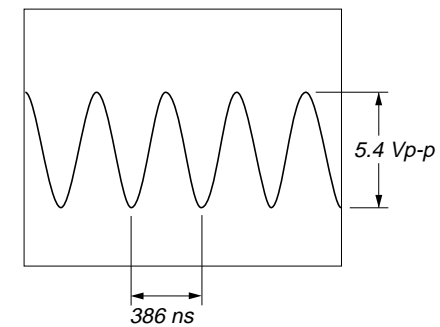
4 IC601 (OSC) (CD Play Mode)
500 mV/DIV, 5 μs/DIV



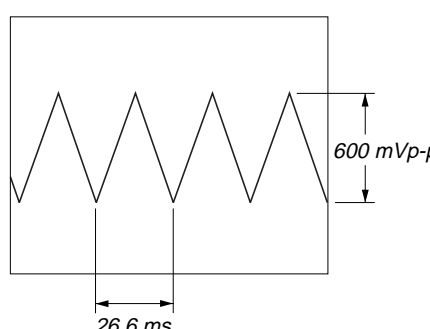
5 IC501 (FE) (CD Play Mode)
200 mV/DIV, 20 ms/DIV



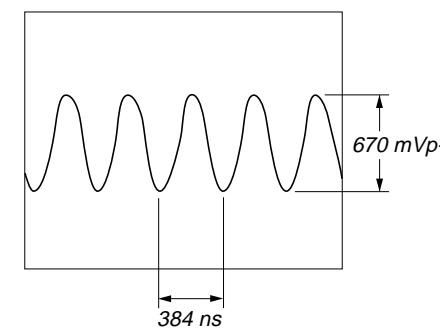
6 Q74 (Collector) (Radio ON Mode)
2 V/DIV, 200 ns/DIV



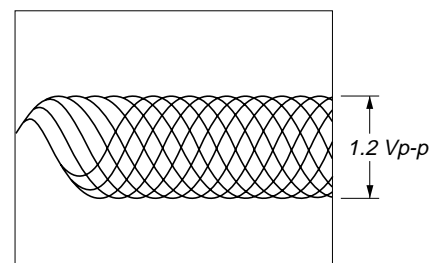
7 IC501 (OSC) (CD Play Mode)
200 mV/DIV, 10 ms/DIV



8 Q74 (Base), Q75 (Collector) (Radio ON Mode)
200 mV/DIV, 200 ns/DIV

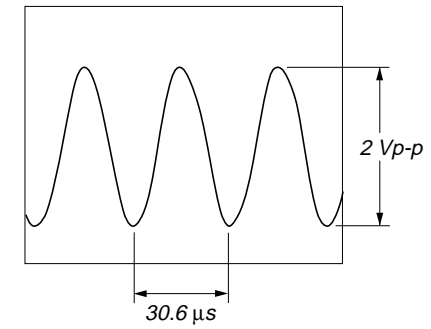


9 IC501 (RF), IC502 (EFMI) (CD Play Mode)
500 mV/DIV, 500 ns/DIV

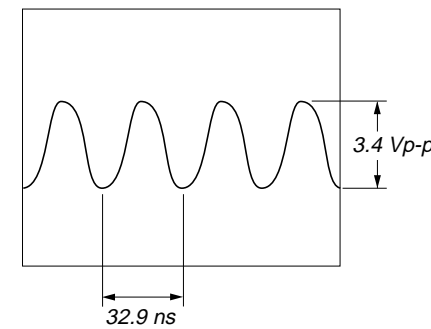


– LCD Board –

1 IC401 (XT1/P74)
500 mV/DIV, 10 μs/DIV

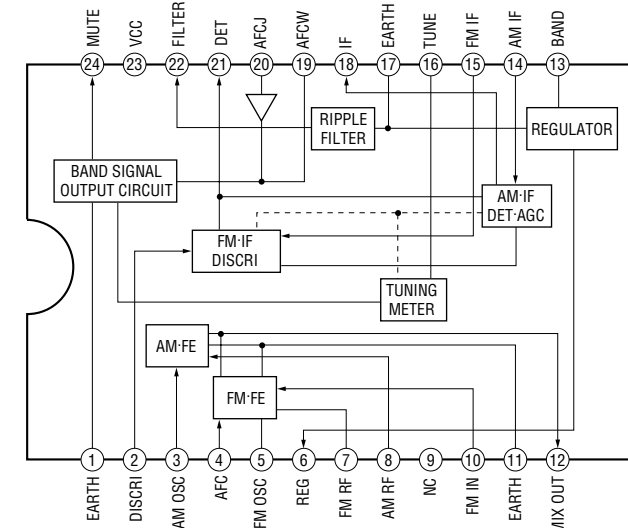


2 IC401 (CF2)
1 V/DIV, 100 ns/DIV

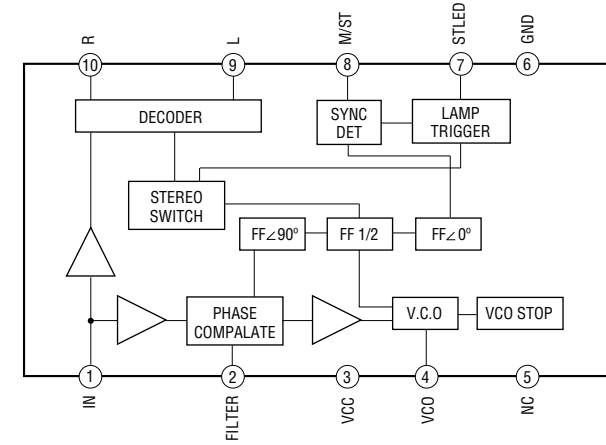


• IC Block Diagrams
– MAIN Board –

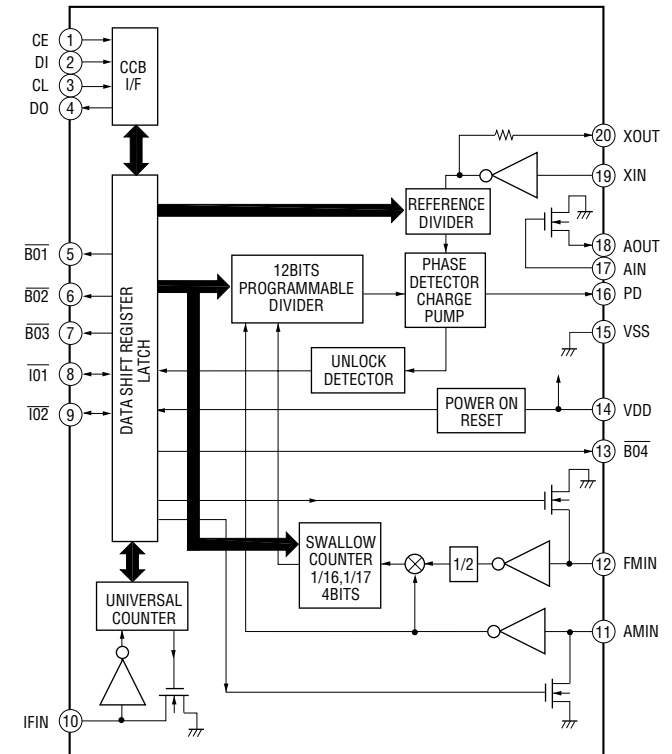
IC1 CXA1111N



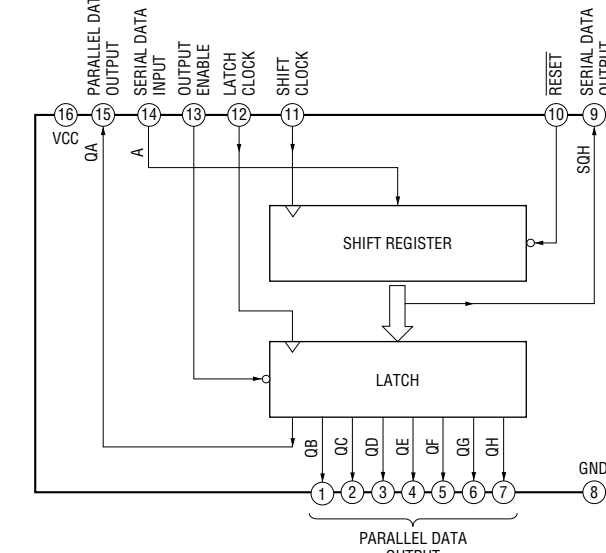
IC2 LA3335M



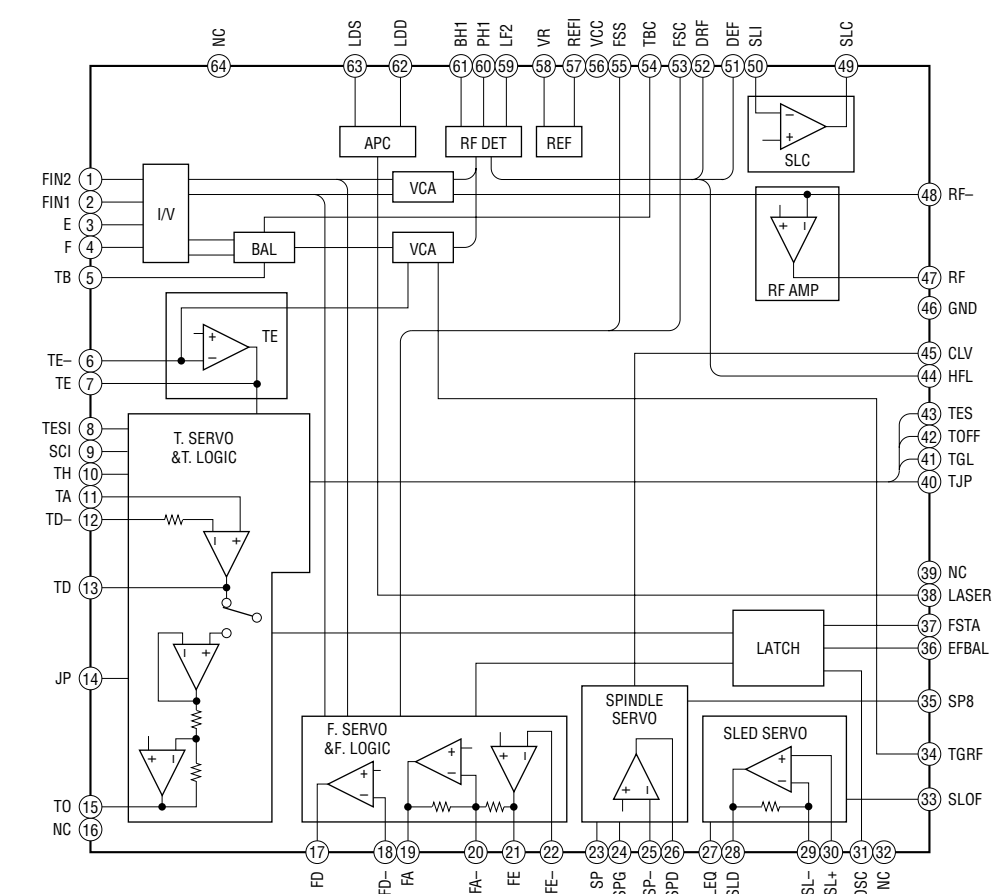
IC3 LC72137M-TLM



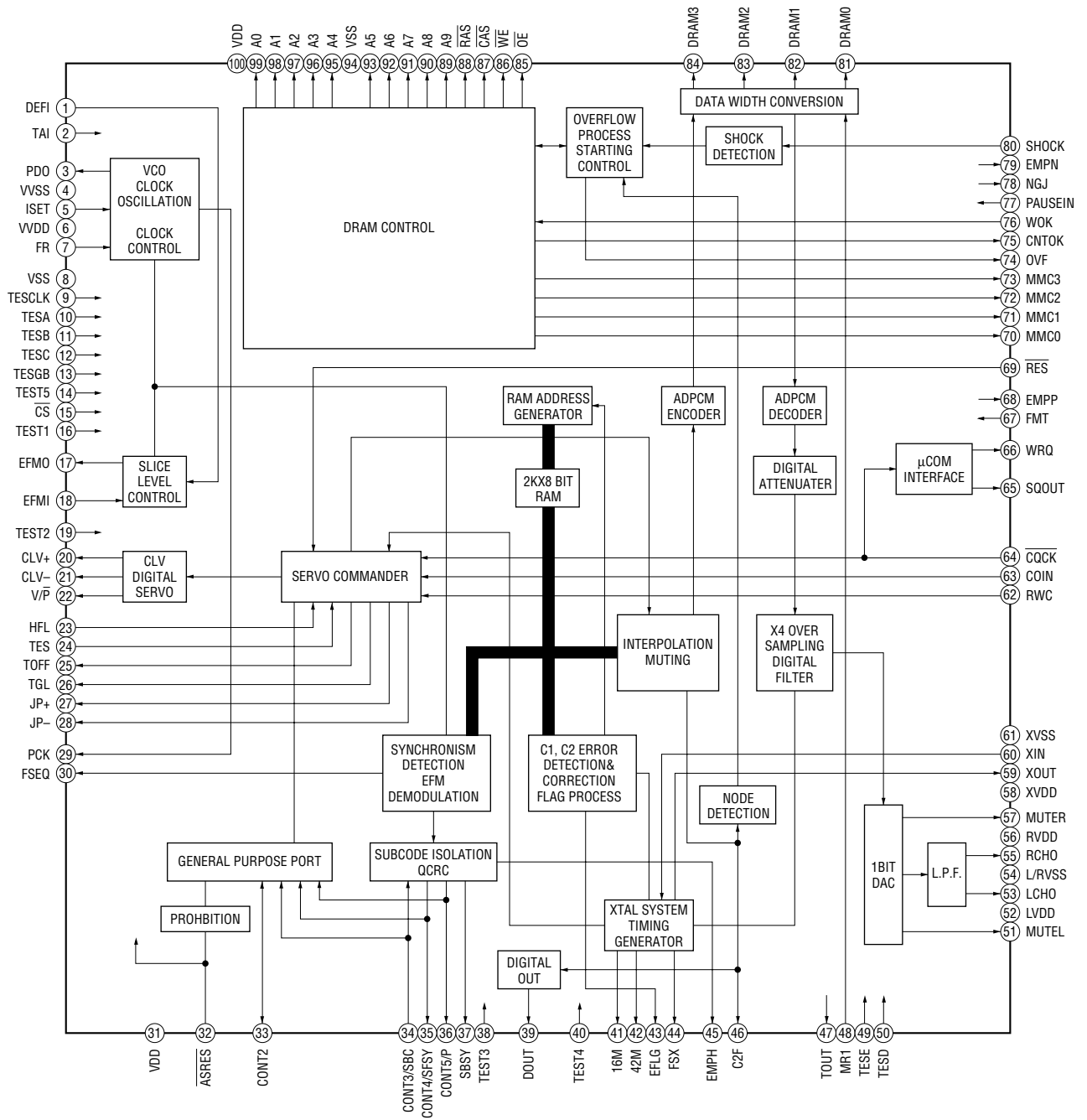
IC404 TC74VHC595FT (EL)



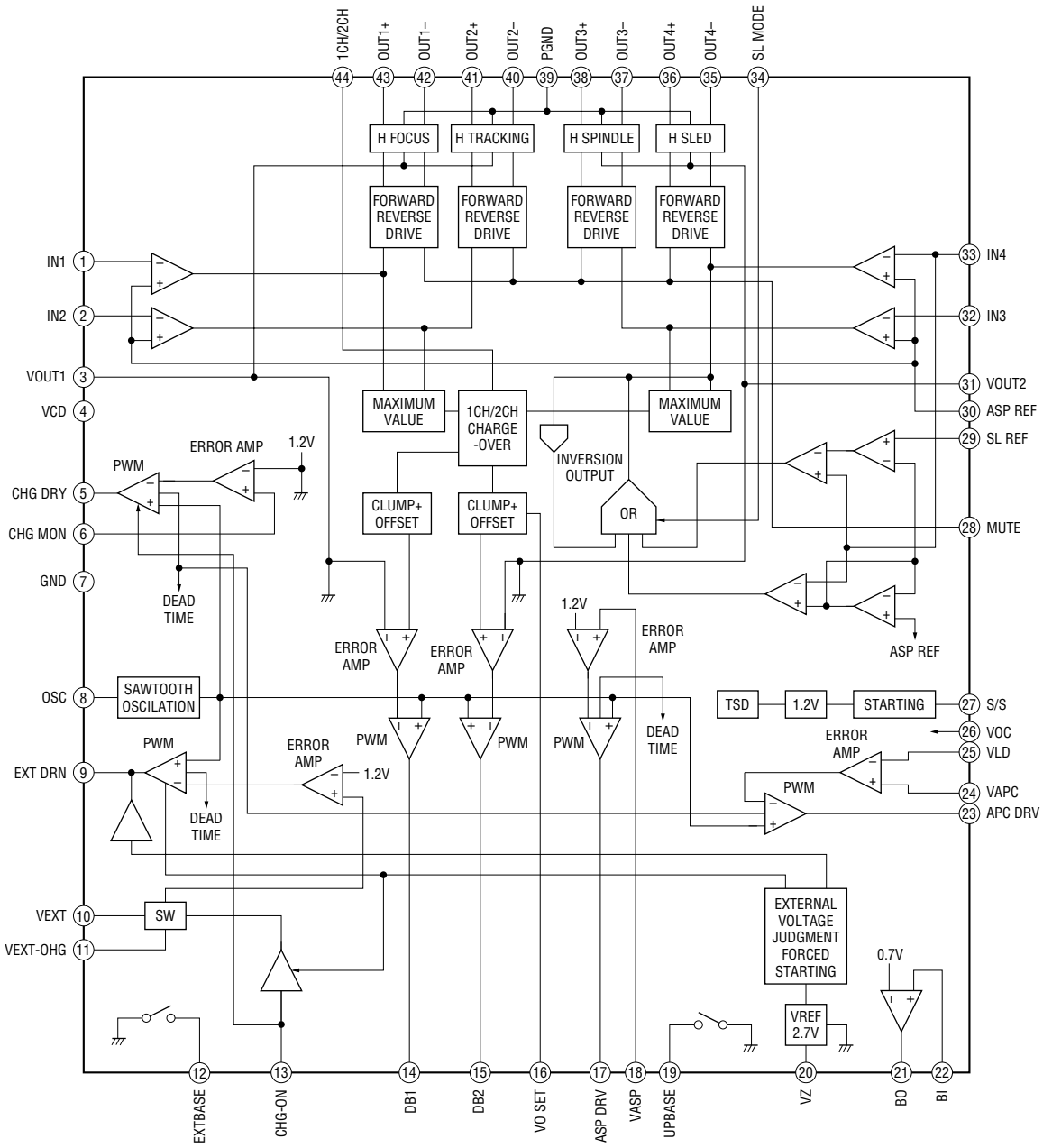
IC501 LA9251M-MPB



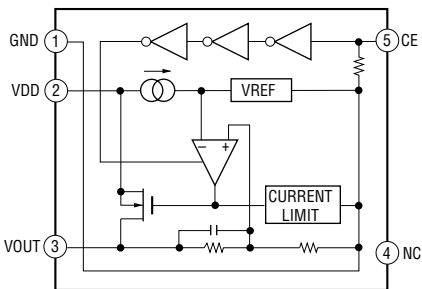
IC502 LC78626KE



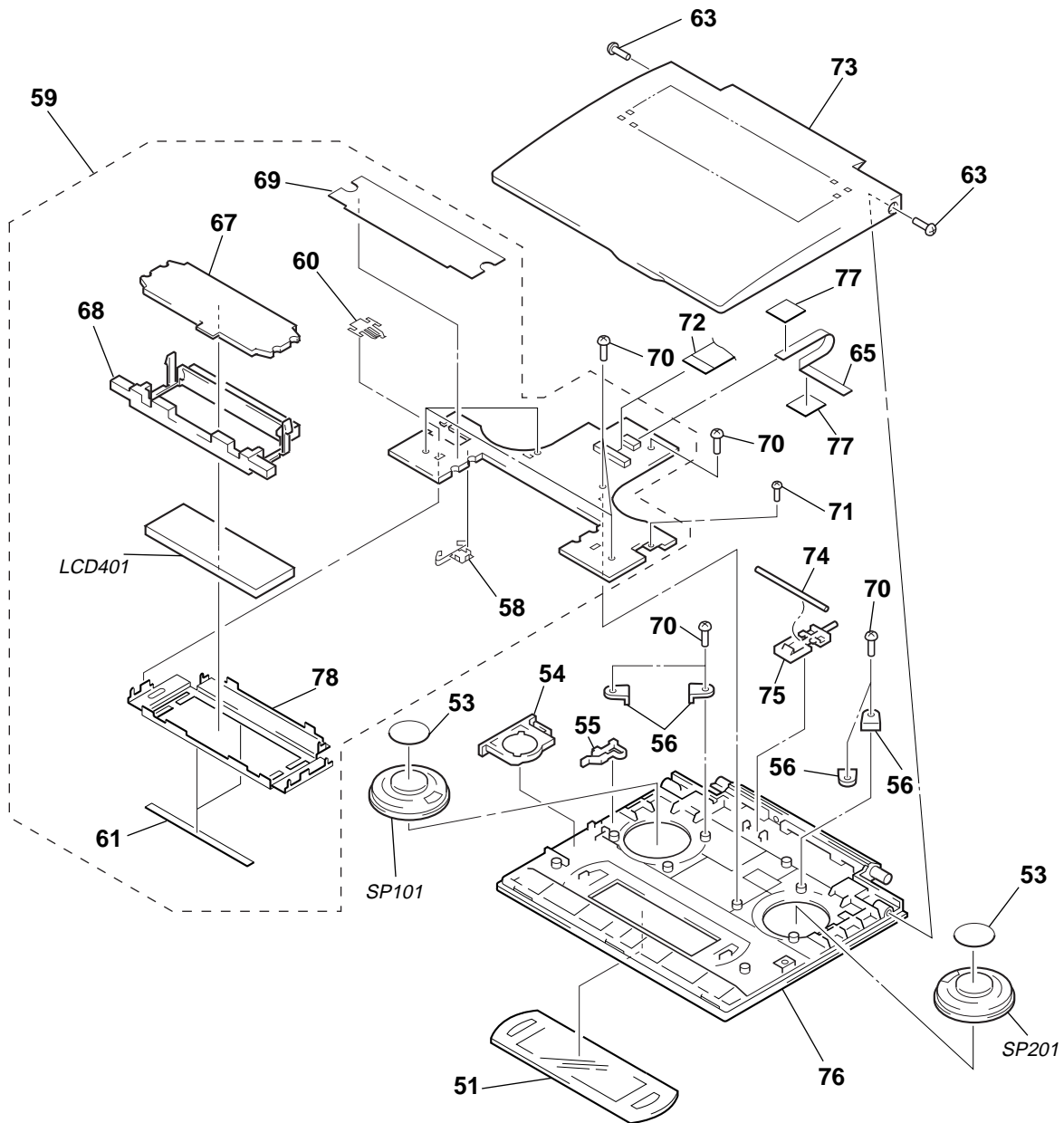
IC601 LB8118M



IC901 RN5RZ33BA-TR

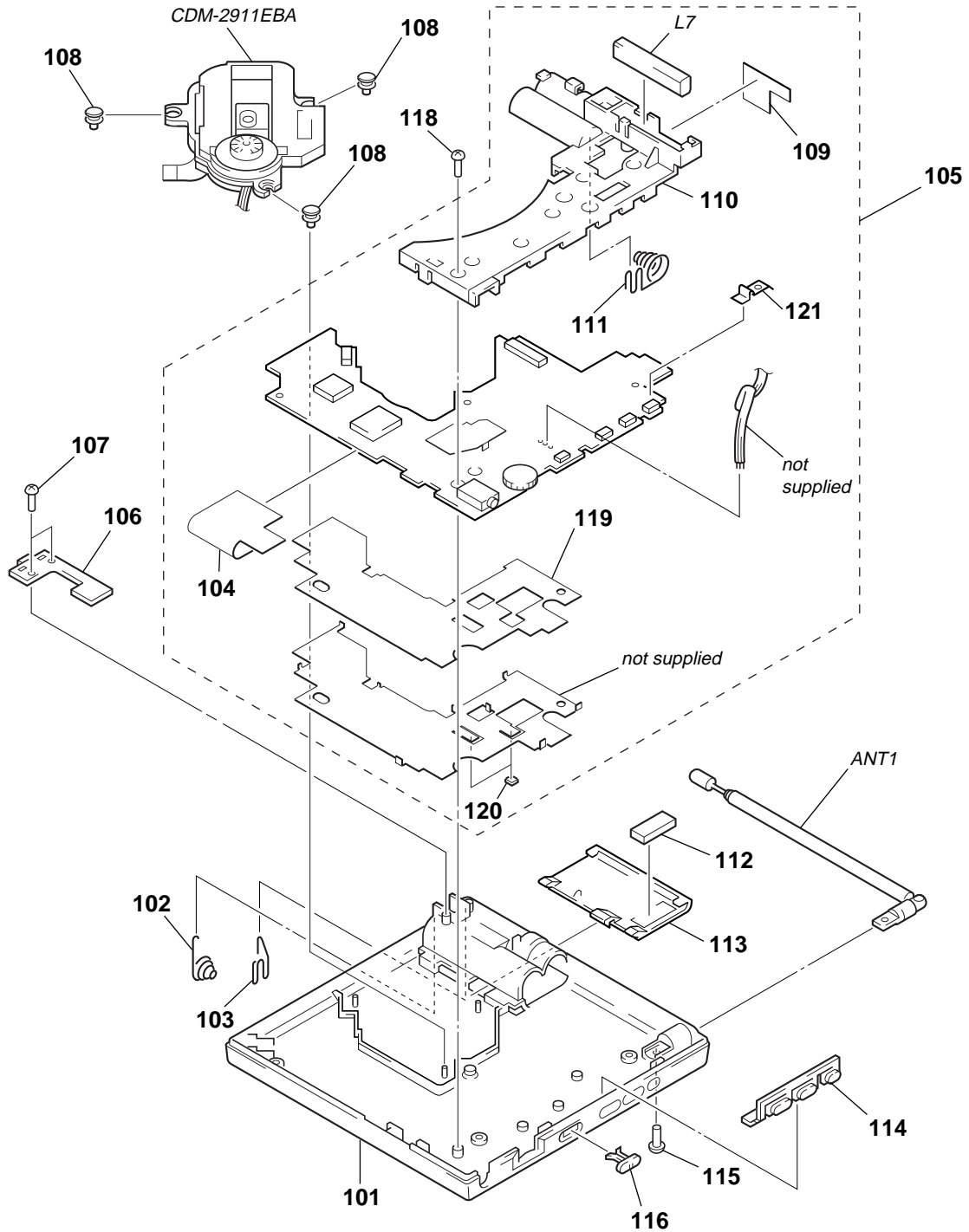


(2) LCD BOARD SECTION



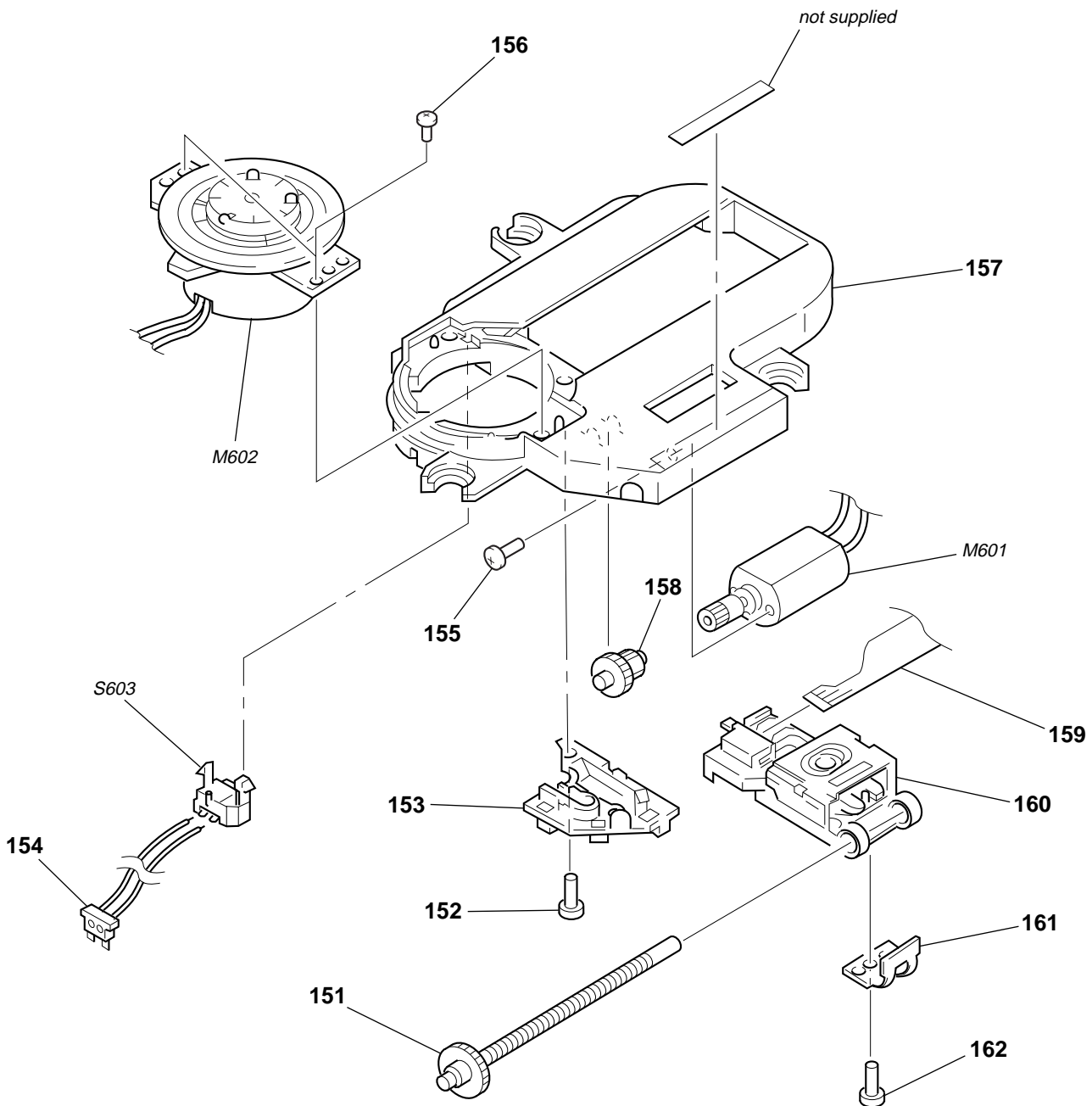
Ref. No.	Part No.	Description	Remark	Ref. No.	Part No.	Description	Remark
51	3-033-576-11	WINDOW (LCD)		69	3-033-573-01	SHEET (LCD)	
53	3-035-203-01	SHEET (SP), ELECTROSTATIC		70	3-318-203-71	SCREW (B1.7X5), TAPPING	
54	X-3378-281-1	CASE (LITHIUM), BATTERY		71	3-895-823-01	SCREW (B1.4X2.3), TAPPING	
55	3-033-561-01	BUTTON (LITHIUM)		72	1-791-189-11	WIRE (FLAT TYPE) (36 CORE)	(CD2000: US, CND/CD2000S)
* 56	3-934-436-01	HOOK (SP)		73	X-3377-783-1	CABINET (REAR) ASSY (CD2000)	
58	3-033-564-01	TERMINAL (LITHIUM +), BATTERY		73	X-3377-784-1	CABINET (REAR) ASSY (CD2000S)	
* 59	A-3683-085-A	LCD BOARD, COMPLETE (US, Canadian)		74	3-934-781-01	SPRING (OFF SW)	
* 59	A-3683-087-A	LCD BOARD, COMPLETE (E, SP, JEW)		75	3-033-555-01	BUTTON (OFF-SW)	
* 59	A-3683-103-A	LCD BOARD, COMPLETE (CD2000S)		76	X-3377-221-1	CABINET (FRONT) SUB ASSY	
60	3-033-565-01	TERMINAL (LITHIUM -), BATTERY		77	3-825-652-01	SPACER (A)	
61	3-043-413-01	CUSHION (SHIELD CASE)		78	X-3378-282-1	CASE (LCD), SHIELD ASSY	
63	4-356-741-21	SCREW, TAPPING (BIND 2X8)		LCD401	1-803-591-11	DISPLAY PANEL, LIQUID CRYSTAL	
65	1-791-188-11	WIRE (FLAT TYPE) (5 CORE) (CD2000: US, CND/CD2000S)		SP101	1-505-311-11	SPEAKER (4cm)	
67	3-033-545-01	PLATE, LIGHT GUIDE		SP201	1-505-311-11	SPEAKER (4cm)	
68	3-033-560-01	HOLDER, LCD					

(3) MAIN BOARD SECTION



Ref. No.	Part No.	Description	Remark	Ref. No.	Part No.	Description	Remark
101	3-033-547-11	CABINET (LOWER) (CD2000)		110	3-033-549-01	CHASSIS	
101	3-033-547-21	CABINET (LOWER) (CD2000S)		111	3-033-571-01	TERMINAL (+ -), BATTERY	
102	3-033-570-01	TERMINAL (-), BATTERY		112	3-033-574-01	CUSHION (BATTERY CASE LID)	
103	3-033-569-01	TERMINAL (+), BATTERY		113	3-033-550-01	LID, BATTERY CASE	
104	3-040-780-01	SHEET, ELECTROSTATIC		114	3-033-552-01	BUTTON (CD)	
* 105	A-3683-084-A	MAIN BOARD, COMPLETE (CD2000: US, CND)		115	3-370-475-01	SCREW (NYLOCK +B 3X6)	
* 105	A-3683-086-A	MAIN BOARD, COMPLETE (CD2000: E, SP, JEW)		116	3-033-562-01	KNOB (MEGABASS)	
* 105	A-3683-102-A	MAIN BOARD, COMPLETE (CD2000S)		118	4-356-741-21	SCREW, TAPPING (BIND 2X8)	
* 106	1-673-933-11	JACK BOARD		119	3-039-164-01	SHEET (SHIELD B), INSULATING	
107	3-318-203-71	SCREW (B1.7X5), TAPPING		120	3-040-410-01	CUSHION (SHIELD B)	
108	3-040-426-01	INSULATOR		121	3-033-563-01	TERMINAL BOARD, ANTENNA	
109	3-040-409-01	SHEET (CHASSIS), ELECTROSTATIC		ANT1	1-501-222-71	ANTENNA, TELESCOPIC (FM/SW)	
				L7	1-754-065-11	ANTENNA, FERRITE-ROD AM (MW)	

**(4) MECHANISM DECK SECTION
(CDM-2911EBA)**



<p>The components identified by mark Δ or dotted line with mark Δ are critical for safety. Replace only with part number specified.</p>	<p>Les composants identifiés par une marque Δ sont critiques pour la sécurité. Ne les remplacer que par une pièce portant le numéro spécifié.</p>
---	---

Ref. No.	Part No.	Description	Remark	Ref. No.	Part No.	Description	Remark
151	A-3303-970-A	SCREW ASSY, FEED		159	1-667-512-11	SLIDE FLEXIBLE BOARD	
152	3-318-203-11	SCREW (B1.7), TAPPING		Δ 160	X-4950-476-1	OPTICAL PICK-UP (DAX-11E)	
153	4-972-163-04	SPRING, SLED		161	4-972-165-01	RACK	
154	1-783-093-11	LEAD (WITH CONNECTOR)		162	4-973-631-01	SCREW	
155	7-627-850-17	SCREW, PRECISION +P 1.4X2.5		M601	A-3328-100-A	MOTOR ASSY, SLED	
156	3-719-401-11	SCREW (B1.7), TAPPING		M602	A-3320-642-A	MOTOR ASSY, TURN TABLE (SPINDLE)	
* 157	4-984-320-01	CHASSIS		S603	1-571-099-21	SWITCH (1 KEY) (LIMIT)	
158	4-974-003-01	GEAR (B)					

SECTION 9 ELECTRICAL PARTS LIST

JACK	KEY	LCD
-------------	------------	------------

NOTE:

- Due to standardization, replacements in the parts list may be different from the parts specified in the diagrams or the components used on the set.
- -XX and -X mean standardized parts, so they may have some difference from the original one.
- **RESISTORS**
All resistors are in ohms.
METAL: Metal-film resistor.
METAL OXIDE: Metal oxide-film resistor.
F: nonflammable
- **Abbreviation**
CND : Canadian model
JE : Tourist model
SP : Singapore model

- Items marked “*” are not stocked since they are seldom required for routine service. Some delay should be anticipated when ordering these items.
- **SEMICONDUCTORS**
In each case, u: μ , for example:
uA. . : μ A. . uPA. . : μ PA. .
uPB. . : μ PB. . uPC. . : μ PC. .
uPD. . : μ PD. .
- **CAPACITORS**
uF: μ F
- **COILS**
uH: μ H

The components identified by mark Δ or dotted line with mark Δ are critical for safety. Replace only with part number specified.
Les composants identifiés par une marque Δ sont critiques pour la sécurité. Ne les remplacer que par une pièce portant le numéro spécifié.
When indicating parts by reference number, please include the board.

Ref. No.	Part No.	Description	Remark	Ref. No.	Part No.	Description	Remark
*	1-673-933-11	JACK BOARD *****		R714	1-216-823-11	METAL CHIP 1.5K 5%	1/16W
		< CAPACITOR >		R715	1-216-823-11	METAL CHIP 1.5K 5%	1/16W
C910	1-107-826-11	CERAMIC CHIP 0.1uF	10% 16V	S701	1-692-453-11	SWITCH, KEY BOARD (TUNE/SCAN TIME SET +, ►►)	
C911	1-107-826-11	CERAMIC CHIP 0.1uF	10% 16V	S702	1-692-453-11	SWITCH, KEY BOARD (SNOOZE, SLEEP OFF/LIGHT)	
C912	1-107-826-11	CERAMIC CHIP 0.1uF	10% 16V	S703	1-692-453-11	SWITCH, KEY BOARD (■ OFF, ALARM RESET)	
		< DIODE >		S704	1-692-453-11	SWITCH, KEY BOARD (RADIO SLEEP)	
D902	8-719-974-51	DIODE SB20-03P		S705	1-692-453-11	SWITCH, KEY BOARD (CD ►►)	
		< FERRITE BEAD >		S706	1-692-453-11	SWITCH, KEY BOARD (1)	
FB901	1-469-568-21	FERRITE 0uH		S707	1-692-453-11	SWITCH, KEY BOARD (2)	
FB902	1-469-568-21	FERRITE 0uH		S708	1-692-453-11	SWITCH, KEY BOARD (3)	
		< JACK >		S709	1-692-453-11	SWITCH, KEY BOARD (4)	
J901	1-778-153-21	JACK, DC (POLARITY UNIFIED TYPE) (DC IN 6V)		S710	1-692-453-11	SWITCH, KEY BOARD (5)	
		< COIL >		S711	1-692-453-11	SWITCH, KEY BOARD (TUNE/SCAN TIME SET -, ◀◀)	
L901	1-416-668-11	INDUCTOR 10uH		S712	1-692-453-11	SWITCH, KEY BOARD (ALARM TRACK/STATION)	
*****				S713	1-692-453-11	SWITCH, KEY BOARD (ALARM TIME)	
*****				S714	1-692-453-11	SWITCH, KEY BOARD (ALARM MODE)	
*	A-3663-312-A	KEY BOARD, COMPLETE *****		S715	1-692-453-11	SWITCH, KEY BOARD (BAND)	
		< CONNECTOR >		*****			
CN701	1-569-806-21	CONNECTOR, FPC 5P		* A-3683-085-A	LCD BOARD, COMPLETE (CD2000: US, CND)		
		< RESISTOR >		* A-3683-087-A	LCD BOARD, COMPLETE (CD2000: E, SP, JE)		
R701	1-216-827-11	METAL CHIP 3.3K	5% 1/16W	* A-3683-103-A	LCD BOARD, COMPLETE (CD2000S) *****		
R702	1-216-832-11	METAL CHIP 8.2K	5% 1/16W	3-033-545-01	PLATE, LIGHT GUIDE		
R703	1-216-835-11	METAL CHIP 15K	5% 1/16W	3-033-560-01	HOLDER, LCD		
R704	1-216-839-11	METAL CHIP 33K	5% 1/16W	3-033-564-01	TERMINAL (LITHIUM +), BATTERY		
R705	1-216-827-11	METAL CHIP 3.3K	5% 1/16W	3-033-565-01	TERMINAL (LITHIUM -), BATTERY		
R706	1-216-832-11	METAL CHIP 8.2K	5% 1/16W	3-033-573-01	SHEET (LCD)		
R707	1-216-835-11	METAL CHIP 15K	5% 1/16W	3-035-202-01	SHEET (LCD), INSULATING		
R708	1-216-839-11	METAL CHIP 33K	5% 1/16W			< CAPACITOR >	
R709	1-216-827-11	METAL CHIP 3.3K	5% 1/16W	C401	1-135-177-21	TANTALUM CHIP 1uF	20% 20V
R710	1-216-832-11	METAL CHIP 8.2K	5% 1/16W	C402	1-162-970-11	CERAMIC CHIP 0.01uF	10% 25V
R711	1-216-835-11	METAL CHIP 15K	5% 1/16W	C403	1-104-848-11	TANTALUM CHIP 100uF	20% 4V
R712	1-216-839-11	METAL CHIP 33K	5% 1/16W	C405	1-110-569-11	TANTALUM CHIP 47uF	20% 6.3V
R713	1-216-823-11	METAL CHIP 1.5K	5% 1/16W	C406	1-164-489-11	CERAMIC CHIP 0.22uF	10% 16V
				C407	1-162-970-11	CERAMIC CHIP 0.01uF	10% 25V
				C408	1-162-919-11	CERAMIC CHIP 22PF	5% 50V
				C409	1-164-160-11	CERAMIC CHIP 20PF	5% 50V

LCD

Ref. No.	Part No.	Description	Remark	Ref. No.	Part No.	Description	Remark
C410	1-162-915-11	CERAMIC CHIP	10PF 0.5PF 50V	D407	8-719-056-07	LED SLR-342MC3F (LCD BACK LIGHT)	
C411	1-162-915-11	CERAMIC CHIP	10PF 0.5PF 50V	D408	8-719-056-07	LED SLR-342MC3F (LCD BACK LIGHT)	
C412	1-162-920-11	CERAMIC CHIP	27PF 5% 50V	D409	8-719-941-86	DIODE DAN202U	
C413	1-162-920-11	CERAMIC CHIP	27PF 5% 50V	D410	8-719-056-76	DIODE UDZ-TE-17-3.6B	
C414	1-164-004-11	CERAMIC CHIP	0.1uF 10% 25V	D411	8-719-988-61	DIODE 1SS355TE-17	
C415	1-162-970-11	CERAMIC CHIP	0.01uF 10% 25V	D412	8-719-975-40	DIODE RB411D	
C420	1-164-004-11	CERAMIC CHIP	0.1uF 10% 25V	D413	8-719-988-61	DIODE 1SS355TE-17	
C421	1-162-970-11	CERAMIC CHIP	0.01uF 10% 25V	D417	8-719-976-96	DIODE DTZ4.7C	
C422	1-162-970-11	CERAMIC CHIP	0.01uF 10% 25V	D419	8-719-976-96	DIODE DTZ4.7C	
C426	1-162-964-11	CERAMIC CHIP	0.001uF 10% 50V	D420	8-719-975-40	DIODE RB411D	
C427	1-162-964-11	CERAMIC CHIP	0.001uF 10% 50V	D421	8-719-988-61	DIODE 1SS355TE-17	
C428	1-162-964-11	CERAMIC CHIP	0.001uF 10% 50V	D422	8-719-988-61	DIODE 1SS355TE-17	
C442	1-135-177-21	TANTALUM CHIP	1uF 20% 20V	D450	8-719-988-61	DIODE 1SS355TE-17	
C443	1-104-847-11	TANTALUM CHIP	22uF 20% 4V	D451	8-719-988-61	DIODE 1SS355TE-17	
C444	1-104-848-11	TANTALUM CHIP	100uF 20% 4V			< IC >	
C445	1-162-970-11	CERAMIC CHIP	0.01uF 10% 25V	IC401	8-759-587-66	IC LC867124A-5M74	
C446	1-162-970-11	CERAMIC CHIP	0.01uF 10% 25V	IC402	8-759-426-02	IC RH5RL34AA-T1	
C447	1-126-934-11	ELECT	220uF 20% 10V	IC403	8-759-349-55	IC RH5VL25AA-T1	
C465	1-162-964-11	CERAMIC CHIP	0.001uF 10% 50V			< COIL >	
C466	1-162-964-11	CERAMIC CHIP	0.001uF 10% 50V	L401	1-412-959-11	INDUCTOR 47uH	
C467	1-162-927-11	CERAMIC CHIP	100PF 5% 50V	L402	1-412-959-11	INDUCTOR 47uH	
C468	1-162-927-11	CERAMIC CHIP	100PF 5% 50V	L403	1-412-959-11	INDUCTOR 47uH	
C469	1-162-927-11	CERAMIC CHIP	100PF 5% 50V	L404	1-412-939-11	INDUCTOR 1uH	
C470	1-162-919-11	CERAMIC CHIP	22PF 5% 50V	L405	1-412-959-11	INDUCTOR 47uH	
C471	1-162-923-11	CERAMIC CHIP	47PF 5% 50V			< LIQUID CRYSTAL DISPLAY >	
C472	1-162-964-11	CERAMIC CHIP	0.001uF 10% 50V	LCD401	1-803-591-11	DISPLAY PANEL, LIQUID CRYSTAL	
C473	1-162-970-11	CERAMIC CHIP	0.01uF 10% 25V			< TRANSISTOR >	
C474	1-162-964-11	CERAMIC CHIP	0.001uF 10% 50V	Q401	8-729-907-00	TRANSISTOR DTC114EU	
C475	1-162-964-11	CERAMIC CHIP	0.001uF 10% 50V	Q402	8-729-907-00	TRANSISTOR DTC114EU	
C476	1-162-964-11	CERAMIC CHIP	0.001uF 10% 50V	Q403	8-729-028-73	TRANSISTOR DTA114EUA-T106	
C477	1-162-970-11	CERAMIC CHIP	0.01uF 10% 25V	Q404	8-729-028-73	TRANSISTOR DTA114EUA-T106	
C478	1-162-970-11	CERAMIC CHIP	0.01uF 10% 25V	Q405	8-729-905-34	TRANSISTOR 2SC4081-Q	
C479	1-162-964-11	CERAMIC CHIP	0.001uF 10% 50V	Q406	8-729-028-73	TRANSISTOR DTA114EUA-T106	
C480	1-162-964-11	CERAMIC CHIP	0.001uF 10% 50V	Q407	8-729-905-34	TRANSISTOR 2SC4081-Q	
C481	1-162-964-11	CERAMIC CHIP	0.001uF 10% 50V	Q408	8-729-905-34	TRANSISTOR 2SC4081-Q	
C482	1-162-927-11	CERAMIC CHIP	100PF 5% 50V	Q410	8-729-028-73	TRANSISTOR DTA114EUA-T106	
C483	1-162-964-11	CERAMIC CHIP	0.001uF 10% 50V	Q411	8-729-049-50	TRANSISTOR 2SB1424-T100-R	
C484	1-162-927-11	CERAMIC CHIP	100PF 5% 50V	Q412	8-729-032-04	TRANSISTOR 2SD2150-T100QRS	
C485	1-162-970-11	CERAMIC CHIP	0.01uF 10% 25V	Q413	8-729-029-14	TRANSISTOR DTC144EUA-T106	
C486	1-162-970-11	CERAMIC CHIP	0.01uF 10% 25V	Q414	8-729-028-91	TRANSISTOR DTA144EUA-T106	
C487	1-162-970-11	CERAMIC CHIP	0.01uF 10% 25V	Q415	8-729-028-73	TRANSISTOR DTA114EUA-T106	
C488	1-162-970-11	CERAMIC CHIP	0.01uF 10% 25V			< RESISTOR >	
C489	1-162-970-11	CERAMIC CHIP	0.01uF 10% 25V	R401	1-216-809-11	METAL CHIP 100 5% 1/16W	
C490	1-104-847-11	TANTALUM CHIP	22uF 20% 4V	R402	1-216-809-11	METAL CHIP 100 5% 1/16W	
C496	1-164-489-11	CERAMIC CHIP	0.22uF 10% 16V	R403	1-216-809-11	METAL CHIP 100 5% 1/16W	
		< CONNECTOR >		R404	1-216-809-11	METAL CHIP 100 5% 1/16W	
CN401	1-766-613-21	CONNECTOR, FFC/FPC 36P		R405	1-216-809-11	METAL CHIP 100 5% 1/16W	
* CN403	1-750-898-11	SOCKET, CONNECTOR 5P		R406	1-216-809-11	METAL CHIP 100 5% 1/16W	
		< DIODE >		R407	1-216-809-11	METAL CHIP 100 5% 1/16W	
D401	8-719-975-40	DIODE RB411D		R408	1-216-857-11	METAL CHIP 1M 5% 1/16W	
D402	8-719-988-61	DIODE 1SS355TE-17		R409	1-216-809-11	METAL CHIP 100 5% 1/16W	
D403	8-719-988-61	DIODE 1SS355TE-17		R410	1-216-809-11	METAL CHIP 100 5% 1/16W	
D404	8-719-988-61	DIODE 1SS355TE-17					
D405	8-719-056-07	LED SLR-342MC3F (LCD BACK LIGHT)		R411	1-216-809-11	METAL CHIP 100 5% 1/16W	
D406	8-719-056-07	LED SLR-342MC3F (LCD BACK LIGHT)					

Ref. No.	Part No.	Description	Quantity	Percentage	Remark	Ref. No.	Part No.	Description	Quantity	Percentage	Remark
R412	1-216-809-11	METAL CHIP	100	5%	1/16W	R471	1-216-864-11	METAL CHIP	0	5%	1/16W
R413	1-216-809-11	METAL CHIP	100	5%	1/16W	R472	1-216-864-11	METAL CHIP	0	5%	1/16W
R414	1-216-809-11	METAL CHIP	100	5%	1/16W	R473	1-216-864-11	METAL CHIP	0	5%	1/16W
R415	1-216-809-11	METAL CHIP	100	5%	1/16W	R474	1-216-833-11	RES, CHIP	10K	5%	1/16W
R416	1-216-809-11	METAL CHIP	100	5%	1/16W	R475	1-216-823-11	METAL CHIP	1.5K	5%	1/16W
R417	1-216-809-11	METAL CHIP	100	5%	1/16W	R479	1-216-817-11	METAL CHIP	470	5%	1/16W
R418	1-216-809-11	METAL CHIP	100	5%	1/16W	R480	1-216-853-11	METAL CHIP	470K	5%	1/16W
R419	1-216-809-11	METAL CHIP	100	5%	1/16W	R484	1-216-821-11	METAL CHIP	1K	5%	1/16W
R420	1-216-809-11	METAL CHIP	100	5%	1/16W	R487	1-216-821-11	METAL CHIP	1K	5%	1/16W
R421	1-216-809-11	METAL CHIP	100	5%	1/16W	R488	1-216-821-11	METAL CHIP	1K	5%	1/16W
R422	1-216-829-11	METAL CHIP	4.7K	5%	1/16W	R489	1-216-809-11	METAL CHIP	100	5%	1/16W
R424	1-216-837-11	METAL CHIP	22K	5%	1/16W	R490	1-216-809-11	METAL CHIP	100	5%	1/16W
R426	1-216-298-00	METAL CHIP	2.2	5%	1/10W	R491	1-216-809-11	METAL CHIP	100	5%	1/16W
R427	1-216-298-00	METAL CHIP	2.2	5%	1/10W	R492	1-216-809-11	METAL CHIP	100	5%	1/16W
R428	1-216-298-00	METAL CHIP	2.2	5%	1/10W	R493	1-216-021-00	METAL CHIP	68	5%	1/10W
R429	1-216-298-00	METAL CHIP	2.2	5%	1/10W	R495	1-216-825-11	METAL CHIP	2.2K	5%	1/16W
R430	1-216-021-00	METAL CHIP	68	5%	1/10W	R496	1-216-833-11	RES, CHIP	10K	5%	1/16W
R431	1-216-021-00	METAL CHIP	68	5%	1/10W	R497	1-216-833-11	RES, CHIP	10K	5%	1/16W
R432	1-216-841-11	METAL CHIP	47K	5%	1/16W	R498	1-216-021-00	METAL CHIP	68	5%	1/10W
R433	1-216-841-11	METAL CHIP	47K	5%	1/16W	R499	1-216-849-11	METAL CHIP	220K	5%	1/16W
R434	1-218-740-11	METAL CHIP	100K	0.5%	1/16W	R750	1-216-857-11	METAL CHIP	1M	5%	1/16W
R435	1-218-740-11	METAL CHIP	100K	0.5%	1/16W	R751	1-216-821-11	METAL CHIP	1K	5%	1/16W
R436	1-216-845-11	METAL CHIP	100K	5%	1/16W	R754	1-216-845-11	METAL CHIP	100K	5%	1/16W
R437	1-216-833-11	RES, CHIP	10K	5%	1/16W	R755	1-216-841-11	METAL CHIP	47K	5%	1/16W
R438	1-216-833-11	RES, CHIP	10K	5%	1/16W			< SWITCH >			
R439	1-216-833-11	RES, CHIP	10K	5%	1/16W	S401	1-572-050-11	SWITCH, PUSH (1KEY) (OPEN MAIN)			
R440	1-216-829-11	METAL CHIP	4.7K	5%	1/16W	S402	1-692-453-11	SWITCH, KEYBOARD (WORLD/LOCAL)			
R441	1-216-829-11	METAL CHIP	4.7K	5%	1/16W	S403	1-692-453-11	SWITCH, KEYBOARD (D.S.T. SUMMER T.)			
R442	1-216-841-11	METAL CHIP	47K	5%	1/16W			< VIBRATOR >			
R443	1-216-841-11	METAL CHIP	47K	5%	1/16W	X401	1-567-098-41	VIBRATOR, CRYSTAL (32.768kHz)			
R444	1-216-296-00	SHORT	0			X402	1-781-570-21	VIBRATOR, CERAMIC (3MHz)			
R445	1-216-851-11	METAL CHIP	330K	5%	1/16W			*****			
R446	1-216-853-11	METAL CHIP	470K	5%	1/16W	*	A-3683-084-A	MAIN BOARD, COMPLETE (CD2000: US, CND)			
R447	1-216-841-11	METAL CHIP	47K	5%	1/16W	*	A-3683-086-A	MAIN BOARD, COMPLETE (CD2000: E, SP, JE)			
R448	1-216-841-11	METAL CHIP	47K	5%	1/16W	*	A-3683-102-A	MAIN BOARD, COMPLETE (CD2000S)			
R449	1-216-841-11	METAL CHIP	47K	5%	1/16W			*****			
R450	1-216-841-11	METAL CHIP	47K	5%	1/16W			3-033-549-01	CHASSIS		
R451	1-216-827-11	METAL CHIP	3.3K	5%	1/16W			3-033-563-01	TERMINAL BOARD, ANTENNA		
R452	1-216-832-11	METAL CHIP	8.2K	5%	1/16W			3-033-571-01	TERMINAL (+ -), BATTERY		
R453	1-216-853-11	METAL CHIP	470K	5%	1/16W			3-039-164-01	SHEET (SHIELD B), INSULATING		
R454	1-216-821-11	METAL CHIP	1K	5%	1/16W			3-040-409-01	SHEET (CHASSIS), ELECTROSTATIC		
R457	1-216-833-11	RES, CHIP	10K	5%	1/16W			3-040-410-01	CUSHION (SHIELD B)		
R458	1-216-833-11	RES, CHIP	10K	5%	1/16W			3-040-780-01	SHEET, ELECTROSTATIC		
R459	1-216-833-11	RES, CHIP	10K	5%	1/16W			< BAND PASS FILTER >			
R460	1-216-841-11	METAL CHIP	47K	5%	1/16W	BPF1	1-236-053-11	FILTER, BAND PASS			
R461	1-216-841-11	METAL CHIP	47K	5%	1/16W			(CD2000: US, CND/CD2000S)			
R463	1-216-833-11	RES, CHIP	10K	5%	1/16W	BPF1	1-236-069-21	FILTER, BAND PASS (CD2000: E, SP, JE)			
R464	1-216-821-11	METAL CHIP	1K	5%	1/16W			< CAPACITOR/RESISTOR >			
R465	1-216-821-11	METAL CHIP	1K	5%	1/16W	C1	1-162-970-11	CERAMIC CHIP	0.01uF	10%	25V
R466	1-216-821-11	METAL CHIP	1K	5%	1/16W			(CD2000S)			
R467	1-216-825-11	METAL CHIP	2.2K	5%	1/16W	C2	1-216-864-11	METAL CHIP	0	5%	1/16W
R468	1-216-833-11	RES, CHIP	10K	5%	1/16W			(CD2000)			
R469	1-216-833-11	RES, CHIP	10K	5%	1/16W	C2	1-162-970-11	CERAMIC CHIP	0.01uF	10%	25V
R470	1-216-864-11	METAL CHIP	0	5%	1/16W			(CD2000S)			

MAIN

Ref. No.	Part No.	Description	Remark	Ref. No.	Part No.	Description	Remark
C3	1-162-970-11	CERAMIC CHIP	0.01uF 10% 25V (CD2000S)	C41	1-135-177-21	TANTALUM CHIP	1uF 20% 20V
C4	1-104-847-11	TANTALUM CHIP	22uF 20% 4V (CD2000S)	C42	1-135-259-11	TANTALUM CHIP	10uF 20% 6.3V
C5	1-162-915-11	CERAMIC CHIP	10PF 0.5PF 50V (CD2000S)	C43	1-109-982-11	CERAMIC CHIP	1uF 10% 10V
C6	1-162-970-11	CERAMIC CHIP	0.01uF 10% 25V	C44	1-164-230-11	CERAMIC CHIP	220PF 5% 50V
C7	1-162-920-11	CERAMIC CHIP	27PF 5% 50V (CD2000S)	C45	1-135-259-11	TANTALUM CHIP	10uF 20% 6.3V
C8	1-162-915-11	CERAMIC CHIP	10PF 0.5PF 50V (CD2000S)	C46	1-165-176-11	CERAMIC CHIP	0.047uF 10% 16V
C9	1-162-970-11	CERAMIC CHIP	0.01uF 10% 25V	C47	1-110-569-11	TANTALUM CHIP	47uF 20% 6.3V
C10	1-162-927-11	CERAMIC CHIP	100PF 5% 50V (CD2000S)	C48	1-162-970-11	CERAMIC CHIP	0.01uF 10% 25V
C11	1-164-227-11	CERAMIC CHIP	0.022uF 10% 25V	C49	1-135-177-21	TANTALUM CHIP	1uF 20% 20V
C12	1-164-227-11	CERAMIC CHIP	0.022uF 10% 25V	C50	1-162-970-11	CERAMIC CHIP	0.01uF 10% 25V
C13	1-162-910-11	CERAMIC CHIP	5PF 0.25PF 50V (CD2000)	C51	1-135-177-21	TANTALUM CHIP	1uF 20% 20V
C13	1-162-915-11	CERAMIC CHIP	10PF 0.5PF 50V (CD2000S)	C52	1-115-416-11	CERAMIC CHIP	1000PF 5% 25V
C14	1-164-227-11	CERAMIC CHIP	0.022uF 10% 25V (CD2000)	C53	1-164-004-11	CERAMIC CHIP	0.1uF 10% 25V
C14	1-216-864-11	METAL CHIP	0 5% 1/16W (CD2000S)	C54	1-162-970-11	CERAMIC CHIP	0.01uF 10% 25V
C15	1-164-227-11	CERAMIC CHIP	0.022uF 10% 25V (CD2000S)	C55	1-135-259-11	TANTALUM CHIP	10uF 20% 6.3V
C16	1-104-847-11	TANTALUM CHIP	22uF 20% 4V (CD2000S)	C56	1-216-864-11	METAL CHIP	0 5% 1/16W (CD2000: US, CND/CD2000S)
C17	1-164-227-11	CERAMIC CHIP	0.022uF 10% 25V (CD2000S)	C56	1-162-919-11	CERAMIC CHIP	22PF 5% 50V (CD2000: E, SP, JE)
C18	1-162-970-11	CERAMIC CHIP	0.01uF 10% 25V (CD2000S)	C57	1-162-923-11	CERAMIC CHIP	47PF 5% 50V
C19	1-164-227-11	CERAMIC CHIP	0.022uF 10% 25V (CD2000S)	C59	1-164-004-11	CERAMIC CHIP	0.1uF 10% 25V
C21	1-216-864-11	METAL CHIP	0 5% 1/16W (CD2000)	C60	1-162-970-11	CERAMIC CHIP	0.01uF 10% 25V
C21	1-162-970-11	CERAMIC CHIP	0.01uF 10% 25V (CD2000S)	C71	1-162-964-11	CERAMIC CHIP	0.001uF 10% 50V
C22	1-164-392-11	CERAMIC CHIP	390PF 5% 50V	C72	1-162-970-11	CERAMIC CHIP	0.01uF 10% 25V
C23	1-162-970-11	CERAMIC CHIP	0.01uF 10% 25V	C73	1-162-927-11	CERAMIC CHIP	100PF 5% 50V
C24	1-164-227-11	CERAMIC CHIP	0.022uF 10% 25V (CD2000S)	C74	1-162-927-11	CERAMIC CHIP	100PF 5% 50V
C25	1-162-970-11	CERAMIC CHIP	0.01uF 10% 25V (CD2000S)	C75	1-162-927-11	CERAMIC CHIP	100PF 5% 50V
C26	1-162-910-11	CERAMIC CHIP	5PF 0.25PF 50V	C76	1-162-927-11	CERAMIC CHIP	100PF 5% 50V
C27	1-162-922-11	CERAMIC CHIP	39PF 5% 50V (CD2000S)	C77	1-110-501-11	CERAMIC CHIP	0.33uF 10% 16V
C28	1-162-964-11	CERAMIC CHIP	0.001uF 10% 50V	C78	1-164-315-11	CERAMIC CHIP	470PF 5% 50V
C29	1-164-357-11	CERAMIC CHIP	1000PF 5% 50V	C79	1-164-230-11	CERAMIC CHIP	220PF 5% 50V
C30	1-164-357-11	CERAMIC CHIP	1000PF 5% 50V	C80	1-162-916-11	CERAMIC CHIP	12PF 5% 50V
C31	1-164-357-11	CERAMIC CHIP	1000PF 5% 50V	C81	1-162-916-11	CERAMIC CHIP	12PF 5% 50V
C32	1-162-908-11	CERAMIC CHIP	5PF 0.25PF 50V (CD2000: E, SP, JE)	C82	1-162-970-11	CERAMIC CHIP	0.01uF 10% 25V
C32	1-162-910-11	CERAMIC CHIP	3PF 0.25PF 50V (CD2000: US, CND/CD2000S)	C83	1-162-919-11	CERAMIC CHIP	22PF 5% 50V
C33	1-162-907-11	CERAMIC CHIP	2PF 0.25PF 50V	C84	1-135-259-11	TANTALUM CHIP	10uF 20% 6.3V
C34	1-104-847-11	TANTALUM CHIP	22uF 20% 4V	C85	1-162-970-11	CERAMIC CHIP	0.01uF 10% 25V
C35	1-164-357-11	CERAMIC CHIP	1000PF 5% 50V	C86	1-135-177-21	TANTALUM CHIP	1uF 20% 20V
C36	1-162-970-11	CERAMIC CHIP	0.01uF 10% 25V	C87	1-162-970-11	CERAMIC CHIP	0.01uF 10% 25V
C39	1-162-927-11	CERAMIC CHIP	100PF 5% 50V	C88	1-104-847-11	TANTALUM CHIP	22uF 20% 4V
C40	1-162-970-11	CERAMIC CHIP	0.01uF 10% 25V	C89	1-164-004-11	CERAMIC CHIP	0.1uF 10% 25V (CD2000: E, SP, JE/CD2000S)
				C90	1-162-927-11	CERAMIC CHIP	100PF 5% 50V
				C91	1-162-964-11	CERAMIC CHIP	0.001uF 10% 50V
				C92	1-162-908-11	CERAMIC CHIP	3PF 0.25PF 50V
				C93	1-162-908-11	CERAMIC CHIP	3PF 0.25PF 50V
				C94	1-162-970-11	CERAMIC CHIP	0.01uF 10% 25V
				C95	1-162-970-11	CERAMIC CHIP	0.01uF 10% 25V
				C101	1-163-063-11	CERAMIC CHIP	0.022uF 10% 50V
				C102	1-164-174-11	CERAMIC CHIP	0.0082uF 10% 25V
				C103	1-135-177-21	TANTALUM CHIP	1uF 20% 20V
				C104	1-162-964-11	CERAMIC CHIP	0.001uF 10% 50V
				C105	1-104-509-11	CERAMIC CHIP	0.018uF 10% 16V
				C106	1-126-603-11	ELECT CHIP	4.7uF 20% 35V
				C111	1-135-210-11	TANTALUM CHIP	4.7uF 20% 10V
				C112	1-162-923-11	CERAMIC CHIP	47PF 5% 50V
				C113	1-162-927-11	CERAMIC CHIP	100PF 5% 50V
				C114	1-165-176-11	CERAMIC CHIP	0.047uF 10% 16V

Ref. No.	Part No.	Description	Remark	Ref. No.	Part No.	Description	Remark
C115	1-162-964-11	CERAMIC CHIP	0.001uF 10% 50V	C419	1-162-970-11	CERAMIC CHIP	0.01uF 10% 25V
C116	1-135-259-11	TANTALUM CHIP	10uF 20% 6.3V	C493	1-162-927-11	CERAMIC CHIP	100PF 5% 50V
C117	1-164-227-11	CERAMIC CHIP	0.022uF 10% 25V	C494	1-162-927-11	CERAMIC CHIP	100PF 5% 50V
C118	1-165-176-11	CERAMIC CHIP	0.047uF 10% 16V	C495	1-162-927-11	CERAMIC CHIP	100PF 5% 50V
C119	1-164-489-11	CERAMIC CHIP	0.22uF 10% 16V	C502	1-110-501-11	CERAMIC CHIP	0.33uF 10% 16V
C120	1-165-176-11	CERAMIC CHIP	0.047uF 10% 16V	C503	1-165-176-11	CERAMIC CHIP	0.047uF 10% 16V
C123	1-115-467-11	CERAMIC CHIP	0.22uF 10% 10V	C504	1-162-964-11	CERAMIC CHIP	0.001uF 10% 50V
C124	1-115-467-11	CERAMIC CHIP	0.22uF 10% 10V	C505	1-164-677-11	CERAMIC CHIP	0.033uF 10% 16V
C201	1-163-063-11	CERAMIC CHIP	0.022uF 10% 50V	C506	1-162-969-11	CERAMIC CHIP	0.0068uF 10% 25V
C202	1-164-174-11	CERAMIC CHIP	0.0082uF 10% 25V	C507	1-110-563-11	CERAMIC CHIP	0.068uF 10% 16V
C203	1-135-177-21	TANTALUM CHIP	1uF 20% 20V	C508	1-110-563-11	CERAMIC CHIP	0.068uF 10% 16V
C204	1-162-964-11	CERAMIC CHIP	0.001uF 10% 50V	C510	1-164-004-11	CERAMIC CHIP	0.1uF 10% 25V
C205	1-104-509-11	CERAMIC CHIP	0.018uF 10% 16V	C511	1-162-965-11	CERAMIC CHIP	0.0015uF 10% 50V
C206	1-126-603-11	ELECT CHIP	4.7uF 20% 35V	C512	1-110-501-11	CERAMIC CHIP	0.33uF 10% 16V
C211	1-135-210-11	TANTALUM CHIP	4.7uF 20% 10V	C513	1-164-227-11	CERAMIC CHIP	0.022uF 10% 25V
C212	1-162-923-11	CERAMIC CHIP	47PF 5% 50V	C514	1-164-245-11	CERAMIC CHIP	0.015uF 10% 25V
C213	1-162-927-11	CERAMIC CHIP	100PF 5% 50V	C515	1-104-847-11	TANTALUM CHIP	22uF 20% 4V
C214	1-165-176-11	CERAMIC CHIP	0.047uF 10% 16V	C516	1-107-826-11	CERAMIC CHIP	0.1uF 10% 16V
C215	1-162-964-11	CERAMIC CHIP	0.001uF 10% 50V	C517	1-162-927-11	CERAMIC CHIP	100PF 5% 50V
C216	1-135-259-11	TANTALUM CHIP	10uF 20% 6.3V	C518	1-125-817-11	CERAMIC CHIP	10uF 10% 6.3V
C217	1-164-227-11	CERAMIC CHIP	0.022uF 10% 25V	C519	1-109-982-11	CERAMIC CHIP	1uF 10% 10V
C218	1-165-176-11	CERAMIC CHIP	0.047uF 10% 16V	C520	1-113-988-11	TANTALUM CHIP	68uF 20% 4V
C219	1-164-489-11	CERAMIC CHIP	0.22uF 10% 16V	C521	1-162-968-11	CERAMIC CHIP	0.0047uF 10% 50V
C220	1-165-176-11	CERAMIC CHIP	0.047uF 10% 16V	C522	1-164-315-11	CERAMIC CHIP	470PF 5% 50V
C223	1-115-467-11	CERAMIC CHIP	0.22uF 10% 10V	C524	1-162-968-11	CERAMIC CHIP	0.0047uF 10% 50V
C224	1-115-467-11	CERAMIC CHIP	0.22uF 10% 10V	C525	1-162-908-11	CERAMIC CHIP	3PF 0.25PF 50V
C301	1-162-970-11	CERAMIC CHIP	0.01uF 10% 25V	C526	1-162-911-11	CERAMIC CHIP	6PF 0.5PF 50V
C302	1-107-823-11	CERAMIC CHIP	0.47uF 10% 16V	C527	1-164-004-11	CERAMIC CHIP	0.1uF 10% 25V
C303	1-110-569-11	TANTALUM CHIP	47uF 20% 6.3V	C529	1-135-210-11	TANTALUM CHIP	4.7uF 20% 10V
C304	1-109-982-11	CERAMIC CHIP	1uF 10% 10V	C530	1-162-923-11	CERAMIC CHIP	47PF 5% 50V
C309	1-164-004-11	CERAMIC CHIP	0.1uF 10% 25V	C531	1-162-923-11	CERAMIC CHIP	47PF 5% 50V
C314	1-162-927-11	CERAMIC CHIP	100PF 5% 50V	C532	1-162-923-11	CERAMIC CHIP	47PF 5% 50V
C315	1-135-177-21	TANTALUM CHIP	1uF 20% 20V	C533	1-162-970-11	CERAMIC CHIP	0.01uF 10% 25V
C316	1-110-569-11	TANTALUM CHIP	47uF 20% 6.3V	C534	1-110-569-11	TANTALUM CHIP	47uF 20% 6.3V
C317	1-164-004-11	CERAMIC CHIP	0.1uF 10% 25V	C535	1-110-569-11	TANTALUM CHIP	47uF 20% 6.3V
C318	1-162-968-11	CERAMIC CHIP	0.0047uF 10% 50V	C536	1-162-970-11	CERAMIC CHIP	0.01uF 10% 25V
C319	1-110-569-11	TANTALUM CHIP	47uF 20% 6.3V	C537	1-165-176-11	CERAMIC CHIP	0.047uF 10% 16V
C320	1-164-227-11	CERAMIC CHIP	0.022uF 10% 25V	C538	1-165-176-11	CERAMIC CHIP	0.047uF 10% 16V
C321	1-162-964-11	CERAMIC CHIP	0.001uF 10% 50V	C539	1-109-982-11	CERAMIC CHIP	1uF 10% 10V
C322	1-162-927-11	CERAMIC CHIP	100PF 5% 50V	C540	1-162-970-11	CERAMIC CHIP	0.01uF 10% 25V
C324	1-162-970-11	CERAMIC CHIP	0.01uF 10% 25V	C541	1-110-569-11	TANTALUM CHIP	47uF 20% 6.3V
C325	1-162-968-11	CERAMIC CHIP	0.0047uF 10% 50V	C542	1-162-970-11	CERAMIC CHIP	0.01uF 10% 25V
C327	1-162-927-11	CERAMIC CHIP	100PF 5% 50V	C543	1-110-569-11	TANTALUM CHIP	47uF 20% 6.3V
C328	1-107-826-11	CERAMIC CHIP	0.1uF 10% 16V	C544	1-162-970-11	CERAMIC CHIP	0.01uF 10% 25V
C329	1-162-927-11	CERAMIC CHIP	100PF 5% 50V	C545	1-165-176-11	CERAMIC CHIP	0.047uF 10% 16V
C330	1-110-569-11	TANTALUM CHIP	47uF 20% 6.3V	C546	1-164-004-11	CERAMIC CHIP	0.1uF 10% 25V
C331	1-110-569-11	TANTALUM CHIP	47uF 20% 6.3V	C547	1-113-988-11	TANTALUM CHIP	68uF 20% 4V
C332	1-110-569-11	TANTALUM CHIP	47uF 20% 6.3V	C548	1-162-970-11	CERAMIC CHIP	0.01uF 10% 25V
C333	1-162-970-11	CERAMIC CHIP	0.01uF 10% 25V	C549	1-164-004-11	CERAMIC CHIP	0.1uF 10% 25V
C334	1-128-057-11	ELECT	330uF 20% 6.3V	C550	1-109-982-11	CERAMIC CHIP	1uF 10% 10V
C335	1-135-149-21	TANTALUM CHIP	2.2uF 20% 10V	C551	1-162-970-11	CERAMIC CHIP	0.01uF 10% 25V
C337	1-165-176-11	CERAMIC CHIP	0.047uF 10% 16V	C552	1-164-004-11	CERAMIC CHIP	0.1uF 10% 25V
C338	1-165-176-11	CERAMIC CHIP	0.047uF 10% 16V	C553	1-107-823-11	CERAMIC CHIP	0.47uF 10% 16V
C340	1-135-210-11	TANTALUM CHIP	4.7uF 20% 10V	C554	1-162-970-11	CERAMIC CHIP	0.01uF 10% 25V
C341	1-104-847-11	TANTALUM CHIP	22uF 20% 4V	C555	1-164-230-11	CERAMIC CHIP	220PF 5% 50V
C342	1-110-569-11	TANTALUM CHIP	47uF 20% 6.3V	C556	1-135-259-11	TANTALUM CHIP	10uF 20% 6.3V
C417	1-162-966-11	CERAMIC CHIP	0.0022uF 10% 50V	C557	1-162-927-11	CERAMIC CHIP	100PF 5% 50V
C418	1-165-176-11	CERAMIC CHIP	0.047uF 10% 16V				

MAIN

Ref. No.	Part No.	Description	Remark	Ref. No.	Part No.	Description	Remark
C558	1-110-501-11	CERAMIC CHIP 0.33uF	10% 16V				
C559	1-164-245-11	CERAMIC CHIP 0.015uF	10% 25V				
C561	1-110-569-11	TANTALUM CHIP 47uF	20% 6.3V				
C562	1-113-988-11	TANTALUM CHIP 68uF	20% 4V				
C564	1-113-988-11	TANTALUM CHIP 68uF	20% 4V				
C565	1-162-970-11	CERAMIC CHIP 0.01uF	10% 25V				
C566	1-162-970-11	CERAMIC CHIP 0.01uF	10% 25V				
C568	1-113-988-11	TANTALUM CHIP 68uF	20% 4V				
C569	1-162-970-11	CERAMIC CHIP 0.01uF	10% 25V				
C570	1-104-847-11	TANTALUM CHIP 22uF	20% 4V				
C572	1-125-817-11	CERAMIC CHIP 10uF	10% 6.3V				
C573	1-164-004-11	CERAMIC CHIP 0.1uF	10% 25V				
C574	1-164-489-11	CERAMIC CHIP 0.22uF	10% 16V				
C575	1-135-210-11	TANTALUM CHIP 4.7uF	20% 10V				
C576	1-162-970-11	CERAMIC CHIP 0.01uF	10% 25V				
C577	1-164-230-11	CERAMIC CHIP 220PF	5% 50V				
C578	1-164-230-11	CERAMIC CHIP 220PF	5% 50V				
C579	1-164-230-11	CERAMIC CHIP 220PF	5% 50V				
C580	1-164-230-11	CERAMIC CHIP 220PF	5% 50V				
C581	1-164-230-11	CERAMIC CHIP 220PF	5% 50V				
C582	1-164-230-11	CERAMIC CHIP 220PF	5% 50V				
C583	1-164-230-11	CERAMIC CHIP 220PF	5% 50V				
C584	1-164-230-11	CERAMIC CHIP 220PF	5% 50V				
C585	1-164-230-11	CERAMIC CHIP 220PF	5% 50V				
C586	1-164-230-11	CERAMIC CHIP 220PF	5% 50V				
C587	1-164-230-11	CERAMIC CHIP 220PF	5% 50V				
C588	1-164-230-11	CERAMIC CHIP 220PF	5% 50V				
C589	1-164-230-11	CERAMIC CHIP 220PF	5% 50V				
C590	1-164-230-11	CERAMIC CHIP 220PF	5% 50V				
C591	1-164-230-11	CERAMIC CHIP 220PF	5% 50V				
C592	1-164-230-11	CERAMIC CHIP 220PF	5% 50V				
C593	1-164-230-11	CERAMIC CHIP 220PF	5% 50V				
C594	1-164-230-11	CERAMIC CHIP 220PF	5% 50V				
C595	1-104-847-11	TANTALUM CHIP 22uF	20% 4V				
C596	1-109-982-11	CERAMIC CHIP 1uF	10% 10V				
C597	1-164-315-11	CERAMIC CHIP 470PF	5% 50V				
C601	1-113-996-11	TANTALUM CHIP 220uF	20% 4V				
C602	1-164-004-11	CERAMIC CHIP 0.1uF	10% 25V				
C603	1-164-004-11	CERAMIC CHIP 0.1uF	10% 25V				
C604	1-135-210-11	TANTALUM CHIP 4.7uF	20% 10V				
C605	1-164-217-11	CERAMIC CHIP 150PF	5% 50V				
C606	1-162-927-11	CERAMIC CHIP 100PF	5% 50V				
C607	1-164-004-11	CERAMIC CHIP 0.1uF	10% 25V				
C608	1-110-569-11	TANTALUM CHIP 47uF	20% 6.3V				
C609	1-162-970-11	CERAMIC CHIP 0.01uF	10% 25V				
C610	1-110-569-11	TANTALUM CHIP 47uF	20% 6.3V				
C611	1-162-965-11	CERAMIC CHIP 0.0015uF	10% 50V				
C612	1-164-489-11	CERAMIC CHIP 0.22uF	10% 16V				
C613	1-113-996-11	TANTALUM CHIP 220uF	20% 4V				
C614	1-162-970-11	CERAMIC CHIP 0.01uF	10% 25V				
C615	1-164-004-11	CERAMIC CHIP 0.1uF	10% 25V				
C616	1-164-004-11	CERAMIC CHIP 0.1uF	10% 25V				
C617	1-164-004-11	CERAMIC CHIP 0.1uF	10% 25V				
C618	1-164-004-11	CERAMIC CHIP 0.1uF	10% 25V				
C619	1-162-964-11	CERAMIC CHIP 0.001uF	10% 50V				
C620	1-135-210-11	TANTALUM CHIP 4.7uF	20% 10V				
C621	1-162-970-11	CERAMIC CHIP 0.01uF	10% 25V				
C622	1-164-004-11	CERAMIC CHIP 0.1uF	10% 25V				
C623	1-135-210-11	TANTALUM CHIP 4.7uF	20% 10V				
C625	1-162-927-11	CERAMIC CHIP 100PF	5% 50V				
C626	1-135-210-11	TANTALUM CHIP 4.7uF	20% 10V				
C627	1-164-227-11	CERAMIC CHIP 0.022uF	10% 25V				
C628	1-164-227-11	CERAMIC CHIP 0.022uF	10% 25V				
C629	1-104-847-11	TANTALUM CHIP 22uF	20% 4V				
C801	1-110-501-11	CERAMIC CHIP 0.33uF	10% 16V				
C802	1-164-230-11	CERAMIC CHIP 220PF	5% 50V				
C803	1-164-004-11	CERAMIC CHIP 0.1uF	10% 25V				
C804	1-109-982-11	CERAMIC CHIP 1uF	10% 10V				
C805	1-162-970-11	CERAMIC CHIP 0.01uF	10% 25V				
C806	1-162-970-11	CERAMIC CHIP 0.01uF	10% 25V				
C807	1-162-970-11	CERAMIC CHIP 0.01uF	10% 25V				
C810	1-165-176-11	CERAMIC CHIP 0.047uF	10% 16V				
C811	1-113-988-11	TANTALUM CHIP 68uF	20% 4V				
C901	1-128-394-11	ELECT CHIP 220uF	20% 10V				
C902	1-128-394-11	ELECT CHIP 220uF	20% 10V				
C904	1-110-569-11	TANTALUM CHIP 47uF	20% 6.3V				
C905	1-128-394-11	ELECT CHIP 220uF	20% 10V				
C906	1-128-391-11	ELECT CHIP 330uF	20% 6.3V				
C907	1-126-518-11	ELECT 470uF	20% 4V				
C908	1-162-970-11	CERAMIC CHIP 0.01uF	10% 25V				
						< FILTER >	
CF1	1-781-419-71	FILTER, CERAMIC (DISCRIMINATOR)	(10.7MHz)				
CF2	1-767-480-11	FILTER, CERAMIC (AM) (450kHz)					
CF3	1-767-313-11	FILTER, CERAMIC (10.7MHz)					
						< CONNECTOR >	
CN301	1-766-614-21	CONNECTOR, FFC/FPC 36P					
CN501	1-779-761-21	CONNECTOR, FPC (ZIF)					
CN601	1-784-342-21	HOUSING, CONNECTOR 2P					
CN602	1-784-342-31	HOUSING, CONNECTOR 2P					
CN603	1-784-342-11	HOUSING, CONNECTOR 2P					
						< TRIMMER >	
CT1	1-141-327-11	CAP, CHIP TYPE TRIMMER 10PF (CD2000S)					
CT2	1-141-327-11	CAP, CHIP TYPE TRIMMER 10PF					
CT3	1-141-327-11	CAP, CHIP TYPE TRIMMER 10PF					
						< DIODE/SHORT >	
D1	8-719-800-76	DIODE 1SS226					
D3	1-216-295-00	SHORT 0 (CD2000)					
D3	8-719-038-20	DIODE 1SS314 (CD2000S)					
D5	1-216-295-00	SHORT 0 (CD2000)					
D5	8-719-044-76	DIODE 1SS356-TW11 (CD2000S)					
D6	8-719-044-76	DIODE 1SS356-TW11 (CD2000S)					
D8	8-719-072-58	DIODE SVC347-TL (CD2000S)					
D9	8-719-072-58	DIODE SVC347-TL					
D10	8-719-072-58	DIODE SVC347-TL (CD2000S)					
D12	8-713-100-11	DIODE 1T362 (CD2000: US, CND/CD2000S)					
D12	8-719-002-81	DIODE 1T363 (CD2000: E, SP, JE)					
D13	8-713-100-11	DIODE 1T362 (CD2000: US, CND/CD2000S)					
D13	8-719-002-81	DIODE 1T363 (CD2000: E, SP, JE)					
D14	8-719-988-61	DIODE 1SS355TE-17					
D70	8-719-977-40	DIODE DTZ-TT11-13					

Ref. No.	Part No.	Description	Remark	Ref. No.	Part No.	Description	Remark
D71	8-719-988-61	DIODE 1SS355TE-17		IC303	8-759-338-78	IC BA10324AFV-E2	
D101	8-719-800-76	DIODE 1SS226		IC404	8-759-529-76	IC TC74VHC595FT (EL)	
D102	8-719-941-86	DIODE DAN202U		IC501	8-759-589-95	IC LA9251M-MPB	
D103	8-719-800-76	DIODE 1SS226					
D104	8-719-988-61	DIODE 1SS355TE-17		IC502	8-759-590-49	IC LC78626KE	
				IC503	8-759-498-44	IC MSM51V4400D-70TSK	
D201	8-719-800-76	DIODE 1SS226		IC505	8-759-387-31	IC TC75S55F (TE85R)	
D202	8-719-941-86	DIODE DAN202U		IC506	8-759-366-35	IC TC4W66F (TE12R)	
D203	8-719-800-76	DIODE 1SS226		IC601	8-759-589-96	IC LB8118M	
D204	8-719-988-61	DIODE 1SS355TE-17					
D301	8-719-056-76	DIODE UDZ-TE-17-3.6B		IC901	8-759-493-39	IC RN5RZ33BA-TR	
						< JACK >	
D304	8-719-941-86	DIODE DAN202U					
D307	8-719-800-76	DIODE 1SS226		J301	1-778-034-11	JACK (♁)	
D308	8-719-941-86	DIODE DAN202U				< COIL >	
D423	8-719-941-86	DIODE DAN202U					
D424	8-719-941-86	DIODE DAN202U					
				L2	1-412-951-11	INDUCTOR 10uH (CD2000S)	
D425	8-719-941-86	DIODE DAN202U		L3	1-412-951-11	INDUCTOR 10uH (CD2000S)	
D426	8-719-941-86	DIODE DAN202U		L4	1-412-935-11	INDUCTOR 0.47uH (CD2000S)	
D427	8-719-941-86	DIODE DAN202U		L5	1-410-658-31	INDUCTOR CHIP 220uH (CD2000S)	
D428	8-719-941-86	DIODE DAN202U		L7	1-754-065-11	ANTENNA, FERRITE-ROD (AM (MW))	
D429	8-719-941-86	DIODE DAN202U					
				L8	1-419-137-21	COIL (SW ANTENNA) (CD2000S)	
D430	8-719-988-61	DIODE 1SS355TE-17		L10	1-410-658-31	INDUCTOR CHIP 220uH (CD2000S)	
D433	8-719-941-86	DIODE DAN202U		L11	1-412-947-11	INDUCTOR 4.7uH (CD2000S)	
D434	8-719-941-86	DIODE DAN202U		L12	1-419-137-21	COIL (SW OSC) (CD2000S)	
D501	8-719-988-61	DIODE 1SS355TE-17		L13	1-419-262-21	COIL (AM (MW) OSC)	
D502	8-719-988-61	DIODE 1SS355TE-17					
				L14	1-419-261-11	COIL, AIR-CORE (CD2000: US, CND/CD2000S)	
D503	8-719-941-86	DIODE DAN202U		L14	1-419-324-11	COIL, AIR-CORE (CD2000: E, SP, JE)	
D504	8-719-941-86	DIODE DAN202U		L15	1-414-691-21	INDUCTOR 100nH	
D512	8-719-988-61	DIODE 1SS355TE-17				(CD2000: US, CND/CD2000S)	
D514	8-719-941-86	DIODE DAN202U		L15	1-414-693-11	INDUCTOR 150nH (CD2000: E, SP, JE)	
D601	8-719-975-40	DIODE RB411D		L17	1-412-951-11	INDUCTOR 10uH	
D602	8-719-975-40	DIODE RB411D		L18	1-412-951-11	INDUCTOR 10uH	
D901	8-719-941-86	DIODE DAN202U		L19	1-412-937-11	INDUCTOR 0.68uH (CD2000: E, SP, JE)	
D903	8-719-974-51	DIODE SB20-03P		L20	1-412-959-11	INDUCTOR 47uH	
D904	8-719-941-86	DIODE DAN202U		L70	1-412-951-11	INDUCTOR 10uH	
D905	8-719-941-86	DIODE DAN202U		L72	1-412-951-11	INDUCTOR 10uH	
		< FERRITE BEAD >					
FB1	1-543-963-22	FERRITE 0uH		L73	1-412-959-11	INDUCTOR 47uH	
FB2	1-543-963-22	FERRITE 0uH		L74	1-412-939-11	INDUCTOR 1uH	
FB3	1-543-963-22	FERRITE 0uH		L301	1-412-951-11	INDUCTOR 10uH	
FB101	1-543-963-22	FERRITE 0uH		L501	1-412-947-11	INDUCTOR 4.7uH	
FB102	1-543-963-22	FERRITE 0uH		L502	1-412-006-31	INDUCTOR CHIP 10uH	
FB201	1-543-963-22	FERRITE 0uH		L504	1-412-951-11	INDUCTOR 10uH	
FB202	1-543-963-22	FERRITE 0uH		L505	1-412-002-31	INDUCTOR CHIP 4.7uH	
FB301	1-543-963-22	FERRITE 0uH		L508	1-412-959-11	INDUCTOR 47uH	
FB302	1-543-963-22	FERRITE 0uH		L509	1-412-959-11	INDUCTOR 47uH	
FB303	1-543-963-22	FERRITE 0uH		L511	1-412-959-11	INDUCTOR 47uH	
FB304	1-543-963-22	FERRITE 0uH		L512	1-412-959-11	INDUCTOR 47uH	
FB401	1-500-245-11	FERRITE 0uH		L513	1-412-959-11	INDUCTOR 47uH	
		< IC >		L514	1-412-060-11	INDUCTOR CHIP 22uH	
				L515	1-412-060-11	INDUCTOR CHIP 22uH	
IC1	8-752-065-30	IC CXA1111N		L516	1-412-060-11	INDUCTOR CHIP 22uH	
IC2	8-759-804-98	IC LA3335M					
IC3	8-759-483-40	IC LC72137M-TLM		L601	1-409-556-11	INDUCTOR 47uH	
IC101	8-759-702-02	IC NJM062M		L602	1-409-556-11	INDUCTOR 47uH	
IC201	8-759-702-02	IC NJM062M		L603	1-411-939-11	INDUCTOR 47uH	
				L604	1-412-959-11	INDUCTOR 47uH	
				L605	1-409-556-11	INDUCTOR 47uH	
IC301	8-759-338-78	IC BA10324AFV-E2		L606	1-410-389-31	INDUCTOR CHIP 47uH	
IC302	8-759-338-78	IC BA10324AFV-E2		L607	1-412-951-11	INDUCTOR 10uH	

MAIN

Ref. No.	Part No.	Description	Remark	Ref. No.	Part No.	Description	Remark
L608	1-412-951-11	INDUCTOR	10uH	Q905	8-729-026-53	TRANSISTOR 2SA1576A-T106-QR	
L609	1-412-959-11	INDUCTOR	47uH	Q906	8-729-026-53	TRANSISTOR 2SA1576A-T106-QR	
L902	1-412-963-11	INDUCTOR	100uH	Q907	8-729-921-93	TRANSISTOR 2SB1182F5-QR	
L903	1-409-893-21	INDUCTOR	100uH	Q908	8-729-905-34	TRANSISTOR 2SC4081-Q	
		< TRANSISTOR >		Q909	8-729-028-73	TRANSISTOR DTA114EUA-T106	
Q1	8-729-123-86	FET 2SK238-K16 (CD2000S)		Q910	8-729-048-85	TRANSISTOR IMD3A-T108	
Q2	8-729-048-85	TRANSISTOR IMD3A-T108 (CD2000S)		Q912	8-729-907-00	TRANSISTOR DTC114EU	
Q3	8-729-123-86	FET 2SK238-K16 (CD2000S)		Q913	8-729-907-00	TRANSISTOR DTC114EU	
Q4	8-729-028-74	TRANSISTOR DTA114TUA-T106 (CD2000S)		Q914	8-729-905-34	TRANSISTOR 2SC4081-Q	
Q5	8-729-423-52	TRANSISTOR 2SC3931-C (CD2000S)				< RESISTOR >	
Q6	8-729-402-55	TRANSISTOR 2SB1218A-R (CD2000S)		R1	1-216-857-11	METAL CHIP 1M 5%	1/16W (CD2000S)
Q8	8-729-402-55	TRANSISTOR 2SB1218A-R (CD2000S)		R2	1-216-821-11	METAL CHIP 1K 5%	1/16W (CD2000S)
Q9	8-729-907-00	TRANSISTOR DTC114EU		R3	1-216-864-11	METAL CHIP 0 5%	1/16W (CD2000S)
Q10	8-729-048-85	TRANSISTOR IMD3A-T108		R4	1-216-809-11	METAL CHIP 100 5%	1/16W (CD2000S)
Q11	8-729-907-00	TRANSISTOR DTC114EU		R5	1-216-815-11	METAL CHIP 330 5%	1/16W (CD2000S)
Q74	8-729-905-34	TRANSISTOR 2SC4081-Q		R6	1-216-857-11	METAL CHIP 1M 5%	1/16W
Q75	8-729-905-34	TRANSISTOR 2SC4081-Q		R7	1-216-864-11	METAL CHIP 0 5%	1/16W (CD2000)
Q76	8-729-423-52	TRANSISTOR 2SC3931-C		R8	1-216-829-11	METAL CHIP 4.7K 5%	1/16W (CD2000S)
Q101	8-729-048-84	TRANSISTOR IMH4A-T110		R9	1-216-857-11	METAL CHIP 1M 5%	1/16W (CD2000S)
Q102	8-729-029-10	TRANSISTOR DTC143TUA-T106		R10	1-216-833-11	RES, CHIP 10K 5%	1/16W (CD2000S)
Q103	8-729-029-10	TRANSISTOR DTC143TUA-T106		R11	1-216-857-11	METAL CHIP 1M 5%	1/16W (CD2000S)
Q104	8-729-029-10	TRANSISTOR DTC143TUA-T106		R12	1-216-813-11	METAL CHIP 220 5%	1/16W (CD2000S)
Q201	8-729-048-84	TRANSISTOR IMH4A-T110		R13	1-216-809-11	METAL CHIP 100 5%	1/16W (CD2000S)
Q202	8-729-029-10	TRANSISTOR DTC143TUA-T106		R14	1-216-833-11	RES, CHIP 10K 5%	1/16W
Q203	8-729-029-10	TRANSISTOR DTC143TUA-T106		R15	1-216-833-11	RES, CHIP 10K 5%	1/16W (CD2000S)
Q204	8-729-029-10	TRANSISTOR DTC143TUA-T106		R16	1-216-857-11	METAL CHIP 1M 5%	1/16W (CD2000S)
Q301	8-729-026-53	TRANSISTOR 2SA1576A-T106-QR		R17	1-216-821-11	METAL CHIP 1K 5%	1/16W (CD2000S)
Q305	8-729-048-84	TRANSISTOR IMH4A-T110		R18	1-216-837-11	METAL CHIP 22K 5%	1/16W (CD2000S)
Q308	8-729-907-00	TRANSISTOR DTC114EU		R19	1-216-857-11	METAL CHIP 1M 5%	1/16W
Q309	8-729-048-85	TRANSISTOR IMD3A-T108		R20	1-216-845-11	METAL CHIP 100K 5%	1/16W
Q310	8-729-029-14	TRANSISTOR DTC144EUA-T106		R21	1-216-845-11	METAL CHIP 100K 5%	1/16W
Q311	8-729-048-84	TRANSISTOR IMH4A-T110		R23	1-216-809-11	METAL CHIP 100 5%	1/16W
Q312	8-729-028-97	TRANSISTOR DTC114TUA-T106		R24	1-216-816-11	METAL CHIP 390 5%	1/16W (CD2000S)
Q501	8-729-048-84	TRANSISTOR IMH4A-T110		R25	1-216-829-11	METAL CHIP 4.7K 5%	1/16W (CD2000S)
Q502	8-729-048-84	TRANSISTOR IMH4A-T110		R26	1-216-809-11	METAL CHIP 100 5%	1/16W (CD2000S)
Q503	8-729-048-84	TRANSISTOR IMH4A-T110		R27	1-216-825-11	METAL CHIP 2.2K 5%	1/16W
Q504	8-729-907-00	TRANSISTOR DTC114EU		R28	1-216-815-11	METAL CHIP 330 5%	1/16W
Q505	8-729-028-97	TRANSISTOR DTC114TUA-T106		R29	1-216-821-11	METAL CHIP 1K 5%	1/16W
Q506	8-729-028-74	TRANSISTOR DTA114TUA-T106		R30	1-216-821-11	METAL CHIP 1K 5%	1/16W
Q507	8-729-028-74	TRANSISTOR DTA114TUA-T106		R32	1-216-833-11	RES, CHIP 10K 5%	1/16W
Q509	8-729-048-84	TRANSISTOR IMH4A-T110		R33	1-216-845-11	METAL CHIP 100K 5%	1/16W
Q511	8-729-048-85	TRANSISTOR IMD3A-T108					
Q512	8-729-028-74	TRANSISTOR DTA114TUA-T106					
Q513	8-729-048-84	TRANSISTOR IMH4A-T110					
Q514	8-729-028-74	TRANSISTOR DTA114TUA-T106					
Q601	8-729-402-55	TRANSISTOR 2SB1218A-R					
Q602	8-729-032-04	TRANSISTOR 2SD2150-T100QRS					
Q603	8-719-074-91	TRANSISTOR FX802-TL					
Q604	8-729-049-50	TRANSISTOR 2SB1424-T100-R					
Q605	8-729-905-34	TRANSISTOR 2SC4081-Q					
Q606	8-729-032-04	TRANSISTOR 2SD2150-T100QRS					
Q607	8-719-074-91	TRANSISTOR FX802-TL					
Q608	8-719-074-91	TRANSISTOR FX802-TL					
Q609	8-729-905-34	TRANSISTOR 2SC4081-Q					
Q610	8-729-907-00	TRANSISTOR DTC114EU					
Q904	8-729-048-85	TRANSISTOR IMD3A-T108					

Ref. No.	Part No.	Description	Remark	Ref. No.	Part No.	Description	Remark
R34	1-216-838-11	METAL CHIP	27K 5% 1/16W	R115	1-216-821-11	METAL CHIP	1K 5% 1/16W
R35	1-216-797-11	METAL CHIP	10 5% 1/16W	R116	1-216-809-11	METAL CHIP	100 5% 1/16W
R36	1-216-821-11	METAL CHIP	1K 5% 1/16W	R117	1-216-833-11	RES, CHIP	10K 5% 1/16W
R37	1-216-841-11	METAL CHIP	47K 5% 1/16W (CD2000S)	R118	1-216-841-11	METAL CHIP	47K 5% 1/16W
				R119	1-216-841-11	METAL CHIP	47K 5% 1/16W
R38	1-216-833-11	RES, CHIP	10K 5% 1/16W (CD2000S)	R120	1-216-833-11	RES, CHIP	10K 5% 1/16W
R39	1-216-821-11	METAL CHIP	1K 5% 1/16W	R121	1-216-853-11	METAL CHIP	470K 5% 1/16W
R40	1-216-829-11	METAL CHIP	4.7K 5% 1/16W	R123	1-216-849-11	METAL CHIP	220K 5% 1/16W
R41	1-216-833-11	RES, CHIP	10K 5% 1/16W (CD2000S)	R124	1-216-841-11	METAL CHIP	47K 5% 1/16W
R42	1-216-864-11	METAL CHIP	0 5% 1/16W (CD2000)	R125	1-216-809-11	METAL CHIP	100 5% 1/16W
R43	1-216-864-11	METAL CHIP	0 5% 1/16W (CD2000)	R126	1-216-833-11	RES, CHIP	10K 5% 1/16W
R44	1-216-845-11	METAL CHIP	100K 5% 1/16W	R127	1-216-833-11	RES, CHIP	10K 5% 1/16W
R45	1-216-845-11	METAL CHIP	100K 5% 1/16W	R128	1-216-833-11	RES, CHIP	10K 5% 1/16W
R53	1-216-809-11	METAL CHIP	100 5% 1/16W (CD2000: US, CND)	R129	1-216-298-00	METAL CHIP	2.2 5% 1/10W
R53	1-216-864-11	METAL CHIP	0 5% 1/16W (CD2000: E, SP, JE/CD2000S)	R130	1-216-841-11	METAL CHIP	47K 5% 1/16W
R70	1-216-839-11	METAL CHIP	33K 5% 1/16W	R133	1-216-835-11	METAL CHIP	15K 5% 1/16W
R71	1-216-833-11	RES, CHIP	10K 5% 1/16W	R134	1-216-821-11	METAL CHIP	1K 5% 1/16W
R74	1-216-821-11	METAL CHIP	1K 5% 1/16W	R201	1-216-821-11	METAL CHIP	1K 5% 1/16W
R75	1-216-821-11	METAL CHIP	1K 5% 1/16W (CD2000S)	R202	1-216-847-11	METAL CHIP	150K 5% 1/16W
R77	1-216-809-11	METAL CHIP	100 5% 1/16W	R203	1-216-844-11	METAL CHIP	82K 5% 1/16W
R78	1-216-809-11	METAL CHIP	100 5% 1/16W	R204	1-216-841-11	METAL CHIP	47K 5% 1/16W
R79	1-216-809-11	METAL CHIP	100 5% 1/16W	R205	1-216-847-11	METAL CHIP	150K 5% 1/16W
R80	1-216-809-11	METAL CHIP	100 5% 1/16W	R206	1-216-841-11	METAL CHIP	47K 5% 1/16W
R81	1-216-833-11	RES, CHIP	10K 5% 1/16W	R207	1-216-837-11	METAL CHIP	22K 5% 1/16W
R82	1-216-833-11	RES, CHIP	10K 5% 1/16W	R208	1-216-834-11	METAL CHIP	12K 5% 1/16W
R83	1-216-829-11	METAL CHIP	4.7K 5% 1/16W	R209	1-216-838-11	METAL CHIP	27K 5% 1/16W
R84	1-216-829-11	METAL CHIP	4.7K 5% 1/16W	R210	1-216-833-11	RES, CHIP	10K 5% 1/16W
R85	1-216-829-11	METAL CHIP	4.7K 5% 1/16W	R211	1-216-829-11	METAL CHIP	4.7K 5% 1/16W
R87	1-216-845-11	METAL CHIP	100K 5% 1/16W	R212	1-216-833-11	RES, CHIP	10K 5% 1/16W
R88	1-216-797-11	METAL CHIP	10 5% 1/16W	R213	1-216-849-11	METAL CHIP	220K 5% 1/16W
R89	1-216-845-11	METAL CHIP	100K 5% 1/16W	R215	1-216-821-11	METAL CHIP	1K 5% 1/16W
R90	1-216-841-11	METAL CHIP	47K 5% 1/16W	R216	1-216-809-11	METAL CHIP	100 5% 1/16W
R91	1-216-845-11	METAL CHIP	100K 5% 1/16W	R217	1-216-833-11	RES, CHIP	10K 5% 1/16W
R92	1-216-821-11	METAL CHIP	1K 5% 1/16W	R218	1-216-841-11	METAL CHIP	47K 5% 1/16W
R93	1-216-829-11	METAL CHIP	4.7K 5% 1/16W	R219	1-216-841-11	METAL CHIP	47K 5% 1/16W
R82	1-216-025-00	RES, CHIP	100 5% 1/16W (CD2000: US, CND)	R220	1-216-833-11	RES, CHIP	10K 5% 1/16W
R95	1-216-295-00	SHORT	0 (CD2000: E, SP, JE/CD2000S)	R221	1-216-850-11	METAL CHIP	270K 5% 1/16W
R101	1-216-821-11	METAL CHIP	1K 5% 1/16W	R222	1-216-853-11	METAL CHIP	470K 5% 1/16W
R102	1-216-847-11	METAL CHIP	150K 5% 1/16W	R223	1-216-849-11	METAL CHIP	220K 5% 1/16W
R103	1-216-844-11	METAL CHIP	82K 5% 1/16W	R224	1-216-841-11	METAL CHIP	47K 5% 1/16W
R104	1-216-841-11	METAL CHIP	47K 5% 1/16W	R225	1-216-809-11	METAL CHIP	100 5% 1/16W
R105	1-216-847-11	METAL CHIP	150K 5% 1/16W	R226	1-216-833-11	RES, CHIP	10K 5% 1/16W
R106	1-216-841-11	METAL CHIP	47K 5% 1/16W	R227	1-216-833-11	RES, CHIP	10K 5% 1/16W
R107	1-216-837-11	METAL CHIP	22K 5% 1/16W	R228	1-216-833-11	RES, CHIP	10K 5% 1/16W
R108	1-216-834-11	METAL CHIP	12K 5% 1/16W	R229	1-216-298-00	METAL CHIP	2.2 5% 1/10W
R109	1-216-838-11	METAL CHIP	27K 5% 1/16W	R230	1-216-841-11	METAL CHIP	47K 5% 1/16W
R110	1-216-833-11	RES, CHIP	10K 5% 1/16W	R233	1-216-835-11	METAL CHIP	15K 5% 1/16W
R111	1-216-829-11	METAL CHIP	4.7K 5% 1/16W	R234	1-216-821-11	METAL CHIP	1K 5% 1/16W
R112	1-216-833-11	RES, CHIP	10K 5% 1/16W	R301	1-216-833-11	RES, CHIP	10K 5% 1/16W
R113	1-216-849-11	METAL CHIP	220K 5% 1/16W	R302	1-216-841-11	METAL CHIP	47K 5% 1/16W
				R303	1-216-821-11	METAL CHIP	1K 5% 1/16W
				R304	1-216-833-11	RES, CHIP	10K 5% 1/16W
				R305	1-216-851-11	METAL CHIP	330K 5% 1/16W
				R306	1-216-853-11	METAL CHIP	470K 5% 1/16W
				R307	1-216-845-11	METAL CHIP	100K 5% 1/16W
				R308	1-216-833-11	RES, CHIP	10K 5% 1/16W
				R309	1-216-837-11	METAL CHIP	22K 5% 1/16W
				R310	1-216-833-11	RES, CHIP	10K 5% 1/16W

MAIN

Ref. No.	Part No.	Description	Remark	Ref. No.	Part No.	Description	Remark
R311	1-216-821-11	METAL CHIP	1K 5%	R516	1-216-825-11	METAL CHIP	2.2K 5%
R315	1-216-845-11	METAL CHIP	100K 5%	R517	1-218-732-11	METAL CHIP	47K 0.5%
R316	1-216-845-11	METAL CHIP	100K 5%	R518	1-218-720-11	METAL CHIP	15K 0.5%
R317	1-216-821-11	RES, CHIP	1K 5%	R519	1-218-732-11	METAL CHIP	47K 0.5%
R318	1-216-833-11	RES, CHIP	10K 5%	R520	1-218-720-11	METAL CHIP	15K 0.5%
R319	1-216-837-11	METAL CHIP	22K 5%	R521	1-218-728-11	METAL CHIP	33K 0.5%
R321	1-216-825-11	METAL CHIP	2.2K 5%	R522	1-218-676-11	METAL CHIP	220 0.5%
R322	1-216-821-11	METAL CHIP	1K 5%	R523	1-218-728-11	METAL CHIP	33K 0.5%
R330	1-216-837-11	METAL CHIP	22K 5%	R524	1-216-847-11	METAL CHIP	150K 5%
R334	1-216-833-11	RES, CHIP	10K 5%	R525	1-216-821-11	METAL CHIP	1K 5%
R335	1-216-833-11	RES, CHIP	10K 5%	R526	1-216-850-11	METAL CHIP	270K 5%
R336	1-216-853-11	METAL CHIP	470K 5%	R527	1-216-850-11	METAL CHIP	270K 5%
R338	1-216-809-11	METAL CHIP	100 5%	R528	1-216-864-11	METAL CHIP	0 5%
R339	1-216-821-11	METAL CHIP	1K 5%	R529	1-216-839-11	METAL CHIP	33K 5%
R340	1-216-837-11	METAL CHIP	22K 5%	R530	1-216-829-11	METAL CHIP	4.7K 5%
R341	1-216-849-11	METAL CHIP	220K 5%	R531	1-216-830-11	METAL CHIP	5.6K 5%
R342	1-216-821-11	METAL CHIP	1K 5%	R532	1-218-720-11	METAL CHIP	15K 0.5%
R343	1-216-837-11	METAL CHIP	22K 5%	R533	1-218-724-11	METAL CHIP	22K 0.5%
R344	1-216-844-11	METAL CHIP	82K 5%	R535	1-216-854-11	METAL CHIP	560K 5%
R345	1-216-833-11	RES, CHIP	10K 5%	R536	1-216-833-11	RES, CHIP	10K 5%
R346	1-216-833-11	RES, CHIP	10K 5%	R537	1-216-833-11	RES, CHIP	10K 5%
R347	1-216-841-11	METAL CHIP	47K 5%	R538	1-216-833-11	RES, CHIP	10K 5%
R348	1-216-815-11	METAL CHIP	330 5%	R539	1-216-047-00	RES, CHIP	820 5%
R349	1-216-833-11	RES, CHIP	10K 5%	R540	1-218-720-11	METAL CHIP	15K 0.5%
R350	1-216-845-11	METAL CHIP	100K 5%	R541	1-216-822-11	METAL CHIP	1.2K 5%
R351	1-216-845-11	METAL CHIP	100K 5%	R545	1-216-817-11	METAL CHIP	470 5%
R352	1-216-845-11	METAL CHIP	100K 5%	R546	1-216-833-11	RES, CHIP	10K 5%
R353	1-216-845-11	METAL CHIP	100K 5%	R547	1-216-829-11	METAL CHIP	4.7K 5%
R355	1-216-845-11	METAL CHIP	100K 5%	R549	1-216-852-11	METAL CHIP	390K 5%
R356	1-216-811-11	METAL CHIP	150 5%	R550	1-216-846-11	METAL CHIP	120K 5%
R357	1-216-833-11	RES, CHIP	10K 5%	R551	1-216-846-11	METAL CHIP	120K 5%
R358	1-216-829-11	METAL CHIP	4.7K 5%	R552	1-216-846-11	METAL CHIP	120K 5%
R359	1-216-864-11	METAL CHIP	0 5%	R553	1-216-846-11	METAL CHIP	120K 5%
R360	1-216-841-11	METAL CHIP	47K 5%	R554	1-216-829-11	METAL CHIP	4.7K 5%
R361	1-216-836-11	METAL CHIP	18K 5%	R557	1-216-845-11	METAL CHIP	100K 5%
R423	1-216-835-11	METAL CHIP	15K 5%	R558	1-216-841-11	METAL CHIP	47K 5%
R455	1-216-841-11	METAL CHIP	47K 5%	R559	1-216-842-11	METAL CHIP	56K 5%
R476	1-216-809-11	METAL CHIP	100 5%	R560	1-216-833-11	RES, CHIP	10K 5%
R477	1-216-809-11	METAL CHIP	100 5%	R561	1-216-837-11	METAL CHIP	22K 5%
R478	1-216-809-11	METAL CHIP	100 5%	R562	1-216-837-11	METAL CHIP	22K 5%
R481	1-216-839-11	METAL CHIP	33K 5%	R563	1-216-825-11	METAL CHIP	2.2K 5%
R482	1-216-821-11	METAL CHIP	1K 5%	R564	1-216-843-11	METAL CHIP	68K 5%
R483	1-216-833-11	RES, CHIP	10K 5%	R565	1-216-994-11	RES, CHIP	13K 5%
R486	1-216-845-11	METAL CHIP	100K 5%	R566	1-216-825-11	METAL CHIP	2.2K 5%
R501	1-216-821-11	METAL CHIP	1K 5%	R567	1-218-746-11	METAL CHIP	180K 0.5%
R503	1-218-732-11	METAL CHIP	47K 0.5%	R568	1-216-845-11	METAL CHIP	100K 5%
R504	1-216-847-11	METAL CHIP	150K 5%	R569	1-216-833-11	RES, CHIP	10K 5%
R505	1-216-821-11	METAL CHIP	1K 5%	R570	1-216-833-11	RES, CHIP	10K 5%
R506	1-218-676-11	METAL CHIP	220 0.5%	R571	1-216-833-11	RES, CHIP	10K 5%
R507	1-218-740-11	METAL CHIP	100K 0.5%	R573	1-216-846-11	METAL CHIP	120K 5%
R508	1-218-740-11	METAL CHIP	100K 0.5%	R574	1-216-846-11	METAL CHIP	120K 5%
R509	1-218-720-11	METAL CHIP	15K 0.5%	R575	1-216-833-11	RES, CHIP	10K 5%
R511	1-218-720-11	METAL CHIP	15K 0.5%	R576	1-216-833-11	RES, CHIP	10K 5%
R512	1-218-734-11	METAL CHIP	56K 0.5%	R577	1-216-821-11	METAL CHIP	1K 5%
R513	1-216-833-11	RES, CHIP	10K 5%	R582	1-216-864-11	METAL CHIP	0 5%
R514	1-218-720-11	METAL CHIP	15K 0.5%	R584	1-216-833-11	RES, CHIP	10K 5%
R515	1-216-841-11	METAL CHIP	47K 5%	R586	1-216-825-11	METAL CHIP	2.2K 5%
				R588	1-216-849-11	METAL CHIP	220K 5%

Ref. No.	Part No.	Description	Remark	Ref. No.	Part No.	Description	Remark
R591	1-216-841-11	METAL CHIP	47K 5% 1/16W	R852	1-216-841-11	METAL CHIP	47K 5% 1/16W
R592	1-216-835-11	METAL CHIP	15K 5% 1/16W	R853	1-216-821-11	METAL CHIP	1K 5% 1/16W
R593	1-216-829-11	METAL CHIP	4.7K 5% 1/16W	R854	1-216-837-11	METAL CHIP	22K 5% 1/16W
R594	1-216-845-11	METAL CHIP	100K 5% 1/16W	R905	1-216-829-11	METAL CHIP	4.7K 5% 1/16W
R596	1-216-833-11	RES, CHIP	10K 5% 1/16W	R908	1-216-829-11	METAL CHIP	4.7K 5% 1/16W
R597	1-216-813-11	METAL CHIP	220 5% 1/16W	R909	1-216-841-11	METAL CHIP	47K 5% 1/16W
R598	1-216-813-11	METAL CHIP	220 5% 1/16W	R910	1-216-841-11	METAL CHIP	47K 5% 1/16W
R599	1-216-829-11	METAL CHIP	4.7K 5% 1/16W	R911	1-216-821-11	METAL CHIP	1K 5% 1/16W
R601	1-216-841-11	METAL CHIP	47K 5% 1/16W	R912	1-216-841-11	METAL CHIP	47K 5% 1/16W
R602	1-216-809-11	METAL CHIP	100 5% 1/16W	R913	1-216-047-00	RES, CHIP	820 5% 1/10W
R605	1-216-839-11	METAL CHIP	33K 5% 1/16W	R914	1-216-841-11	METAL CHIP	47K 5% 1/16W
R608	1-218-292-11	RES, CHIP	20K 5% 1/16W	R915	1-216-821-11	METAL CHIP	1K 5% 1/16W
R615	1-216-845-11	METAL CHIP	100K 5% 1/16W	R916	1-216-821-11	METAL CHIP	1K 5% 1/16W
R616	1-216-849-11	METAL CHIP	220K 5% 1/16W			< VARIABLE RESISTOR >	
R623	1-216-821-11	METAL CHIP	1K 5% 1/16W	RV1	1-223-586-11	RES, ADJ, CARBON 10K	
R624	1-216-837-11	METAL CHIP	22K 5% 1/16W	RV2	1-223-587-11	RES, ADJ, CARBON 22K	
R625	1-216-841-11	METAL CHIP	47K 5% 1/16W	RV301	1-225-278-21	RES, VAR, CARBON 20K/20K (VOLUME ▲)	
R626	1-216-827-11	METAL CHIP	3.3K 5% 1/16W			< SWITCH >	
R627	1-216-820-11	METAL CHIP	820 5% 1/16W	S301	1-571-674-11	SWITCH, SLIDE (MEGA BASS)	
R628	1-218-292-11	RES, CHIP	20K 5% 1/16W	S421	1-572-499-21	SWITCH, TACTIL (ESP)	
R629	1-216-830-11	METAL CHIP	5.6K 5% 1/16W	S422	1-572-499-21	SWITCH, TACTIL (CD PLAY MODE)	
R630	1-216-834-11	METAL CHIP	12K 5% 1/16W	S423	1-692-366-11	SWITCH, PUSH (1KEY) (▲ OPEN)	
R631	1-216-821-11	METAL CHIP	1K 5% 1/16W	S424	1-572-499-21	SWITCH, TACTIL (CLOCK)	
R632	1-216-298-00	METAL CHIP	2.2 5% 1/10W			< TRANSFORMER >	
R634	1-216-821-11	METAL CHIP	1K 5% 1/16W	T1	1-435-092-21	TRANSFORMER, IF	
R635	1-216-833-11	RES, CHIP	10K 5% 1/16W	T70	1-435-093-21	TRANSFORMER, DC/DC CONVERTER	
R636	1-216-841-11	METAL CHIP	47K 5% 1/16W			< VIBRATOR >	
R637	1-216-304-11	METAL CHIP	3.3 5% 1/10W	X1	1-767-517-11	VIBRATOR, CRYSTAL (75kHz)	
R638	1-216-304-11	METAL CHIP	3.3 5% 1/10W	X501	1-767-511-11	VIBRATOR, CERAMIC (16.9344MHz)	
R639	1-216-304-11	METAL CHIP	3.3 5% 1/10W			*****	
R640	1-216-304-11	METAL CHIP	3.3 5% 1/10W			MISCELLANEOUS	
R641	1-216-833-11	RES, CHIP	10K 5% 1/16W			*****	
R801	1-216-813-11	METAL CHIP	220 5% 1/16W	65	1-791-188-11	WIRE (FLAT TYPE) (5 CORE)	
R803	1-216-864-11	METAL CHIP	0 5% 1/16W			(CD2000: US, CND/CD2000S)	
R817	1-216-821-11	METAL CHIP	1K 5% 1/16W	72	1-791-189-11	WIRE (FLAT TYPE) (36 CORE)	
R818	1-216-821-11	METAL CHIP	1K 5% 1/16W			(CD2000: US, CND/CD2000S)	
R819	1-216-821-11	METAL CHIP	1K 5% 1/16W	154	1-783-093-11	LEAD (WITH CONNECTOR)	
R820	1-216-821-11	METAL CHIP	1K 5% 1/16W	159	1-667-512-11	SLIDE FLEXIBLE BOARD	
R821	1-216-813-11	METAL CHIP	220 5% 1/16W	△160	X-4950-476-1	OPTICAL PICK-UP (DAX-11E)	
R823	1-216-817-11	METAL CHIP	470 5% 1/16W	ANT1	1-501-222-71	ANTENNA, TELESCOPIC (FM)	
R824	1-216-817-11	METAL CHIP	470 5% 1/16W	L7	1-754-065-11	ANTENNA, FERRITE-ROD (MW)	
R825	1-216-817-11	METAL CHIP	470 5% 1/16W	LCD401	1-803-591-11	DISPLAY PANEL, LIQUID CRYSTAL	
R826	1-216-817-11	METAL CHIP	470 5% 1/16W	M601	A-3328-100-A	MOTOR ASSY, SLED	
R827	1-216-817-11	METAL CHIP	470 5% 1/16W	M602	A-3320-642-A	MOTOR ASSY, TURN TABLE (SPINDLE)	
R828	1-216-817-11	METAL CHIP	470 5% 1/16W	S603	1-571-099-21	SWITCH (1 KEY) (LIMIT)	
R829	1-216-821-11	METAL CHIP	1K 5% 1/16W	SP101	1-505-311-11	SPEAKER (4cm)	
R830	1-216-821-11	METAL CHIP	1K 5% 1/16W	SP201	1-505-311-11	SPEAKER (4cm)	
R831	1-216-821-11	METAL CHIP	1K 5% 1/16W			*****	
R832	1-216-817-11	METAL CHIP	470 5% 1/16W				
R833	1-216-821-11	METAL CHIP	1K 5% 1/16W				
R834	1-216-817-11	METAL CHIP	470 5% 1/16W				
R835	1-216-821-11	METAL CHIP	1K 5% 1/16W				
R836	1-216-821-11	METAL CHIP	1K 5% 1/16W				
R844	1-216-841-11	METAL CHIP	47K 5% 1/16W				
R846	1-216-864-11	METAL CHIP	0 5% 1/16W				
R850	1-216-845-11	METAL CHIP	100K 5% 1/16W				
R851	1-216-825-11	METAL CHIP	2.2K 5% 1/16W				

ICF-CD2000/CD2000S

<u>Ref. No.</u>	<u>Part No.</u>	<u>Description</u>	<u>Remark</u>
		ACCESSORIES & PACKING MATERIALS	

	1-418-411-11	ADAPTOR, AC (AC-E6TR1) (US, CND)	
	1-418-412-11	ADAPTOR, AC (AC-E6TR1) (AEP, SP)	
	1-418-413-11	ADAPTOR, AC (AC-E6TR1) (JEW)	
	1-505-521-11	HEADPHONE (MDR-023) (US)	
	1-569-007-11	ADAPTOR, CONVERSION 2P (JEW)	
	3-865-826-11	MANUAL, INSTRUCTION (JAPANESE, ENGLISH, CHINESE, KOREAN) (E, SP, JEW)	
	3-865-826-21	MANUAL, INSTRUCTION (ENGLISH) (US)	
	3-865-826-31	MANUAL, INSTRUCTION (ENGLISH, FRENCH, GERMAN, DUTCH) (CND)	
	3-865-826-41	MANUAL, INSTRUCTION (ENGLISH, ITALIAN, DUTCH, PORTUGUESE) (AEP, E)	
	3-865-826-51	MANUAL, INSTRUCTION (ENGLISH, SWEDISH, DANISH, FINNISH) (AEP)	
	8-953-130-90	HEADPHONE MDR-E805LP (CD2000: CND, E, SP, JEW/CD2000S)	
	X-3329-657-1	ATTACHMENT (JEW)	

The components identified by
mark \triangle or dotted line with
mark \triangle are critical for safety.
Replace only with part num-
ber specified.

Les composants identifiés par une
marque \triangle sont critiques pour la
sécurité.
Ne les remplacer que par une pièce
portant le numéro spécifié.